



SuperK CONNECT

Broadband fiber delivery system

High-performance fiber delivery system

Precise and stable single-mode coupling

SuperK CONNECT FIBER DELIVERY is a high performance fiber delivery system, complete with broadband fibers and a range of termination options.

The CONNECT FIBER DELIVERY precision fiber coupling unit handles the interfacing and ensures easy and stable single-mode coupling that can be disconnected and reconnected with minimal alignment.



SuperK CONNECT

Applications

**Fiber delivery for SuperK
supercontinuum sources and
accessories**

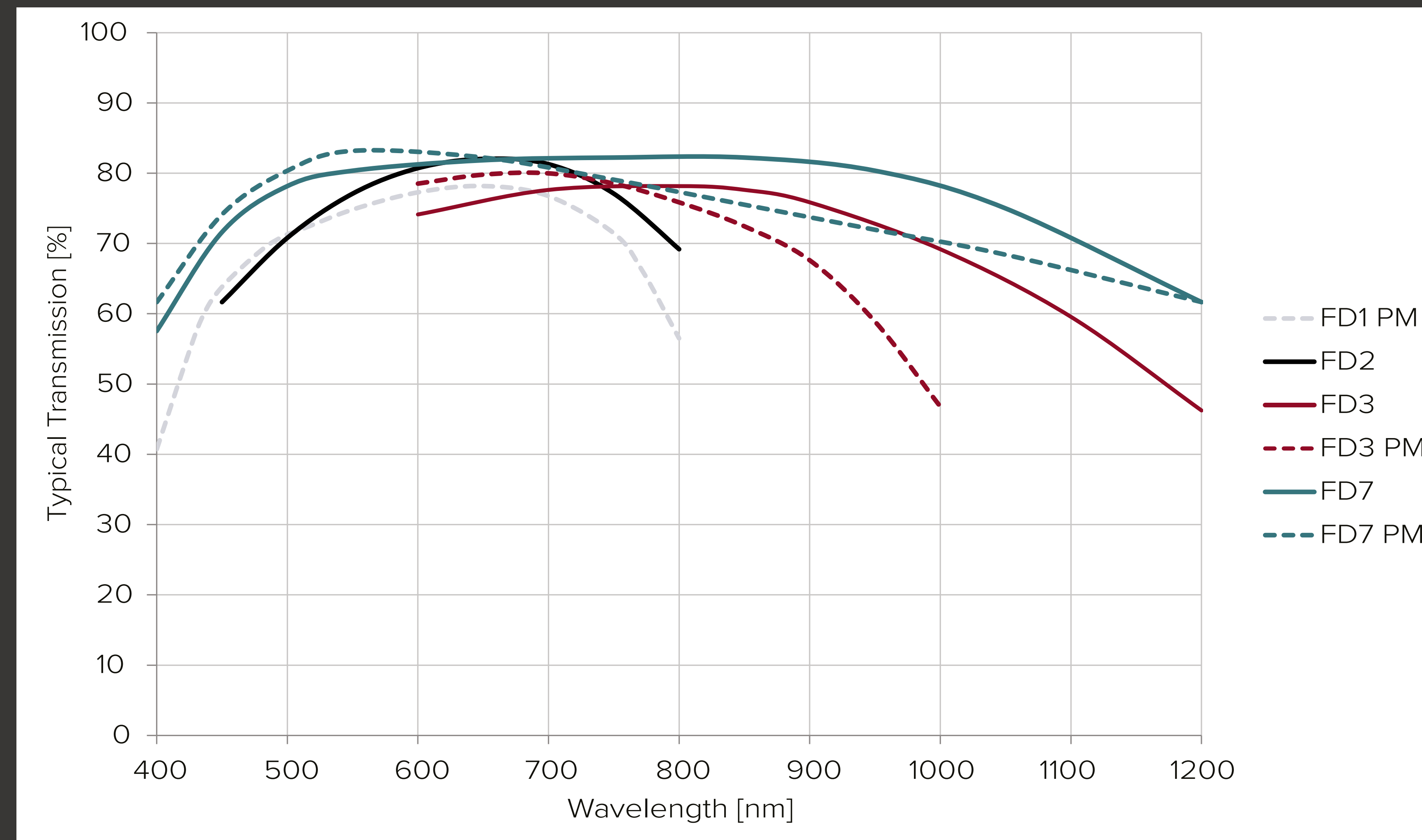
**Fiber delivery of single-mode
lasers**

General single-mode coupling

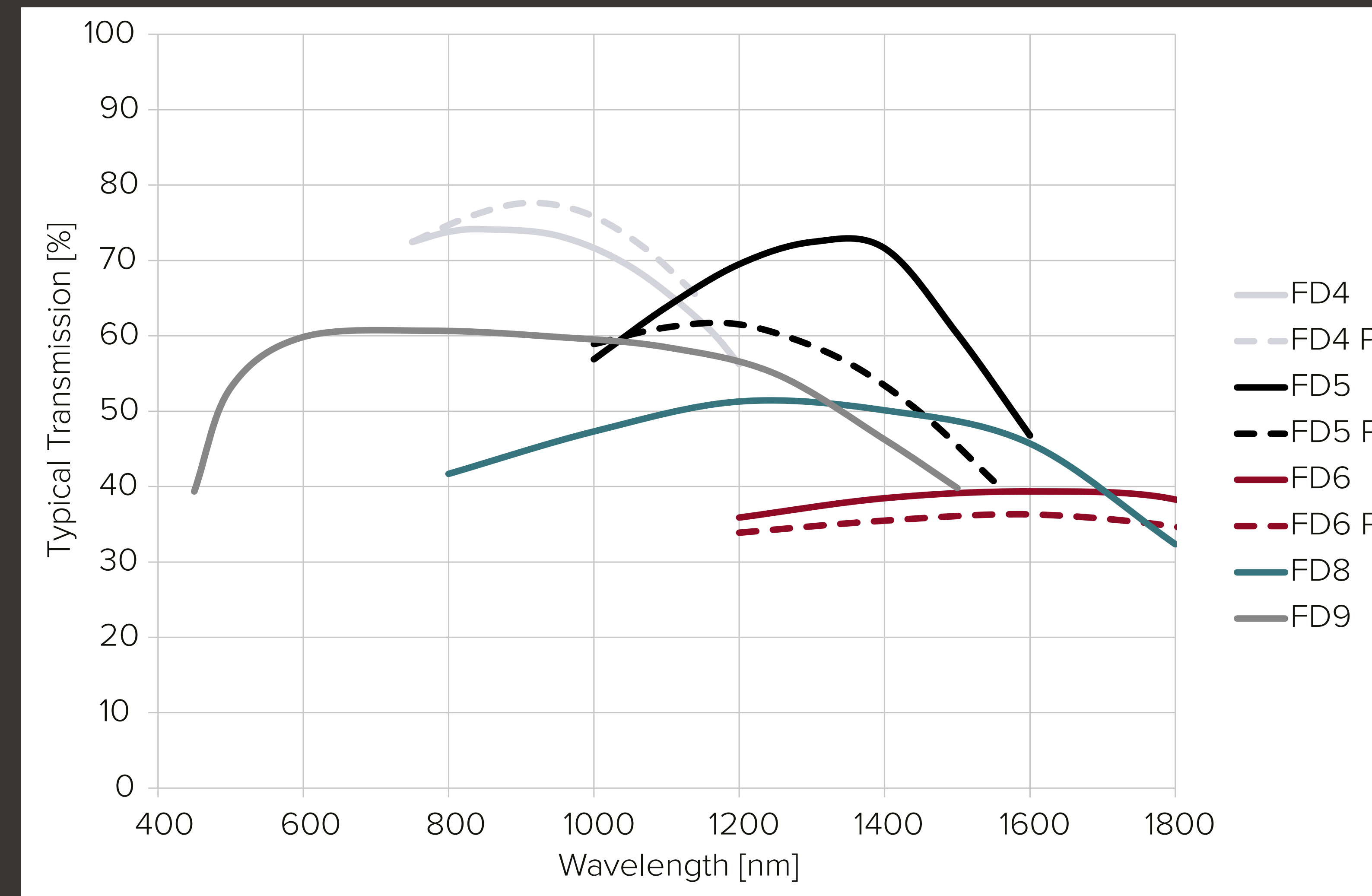
SUPERK fiber delivery

SuperK CONNECT

Typical single-mode transmission - VIS/nIR



Typical single-mode transmission - nIR/IR



FEATURES

- Easy Plug & Play fiber delivery
- 400-2000 nm coverage
- Max. supercontinuum power 500 mW, aligned
- FC/PC, FC/APC, or collimated output for stable alignment
- Best coupling efficiency available
- PM or non-PM

OPTIONS

- Connector termination or high quality collimator
- Normal loose tube/kevlar jacket or robust armored steel cable
- Up to 10 m in length
- Two-axis precision fiber coupling unit

Specifications

SuperK
CONNECT

Common

Fiber length [m]	2.5 ± 0.1 (5 or 10 available upon request)
Output beam quality	Single-mode
Output termination	FC/PC, FC/APC, or collimator ¹
FC key width [mm]	2.0 (Narrow key)
Fiber jacket [mm]	3 - kevlar reinforced furcation tube or armo-
Max. supercontinuum power [mW]	500, aligned
Key alignment	Slow axis, PM
Beam quality	Diffraction Limited

¹ FD¹⁰ is also available with SMA connector.

Specifications

Optical

SuperK CONNECT

Model	Single-mode cut-off wavelength	Transmission ¹	Typical peak transmission ¹
FD1-PM	425 ± 25 nm	> 60% (425-775 nm)	75% @ 650 nm
FD2	450 ± 25 nm	> 60% (450-775 nm)	80% @ 650 nm
FD3	630 ± 20 nm	> 60% (630-1100 nm)	80% @ 800 nm
FD3-PM	580 ± 40 nm	> 65% (580-950 nm)	85% @ 650 nm
FD4	730 ± 30 nm	> 70% (730-1150 nm)	80% @ 950 nm
FD4-PM	710 ± 60 nm	> 65% (710-1100 nm)	70% @ 900 nm
FD5	930 ± 40 nm	> 50% (930-1550 nm)	65% @ 1350 nm
FD5-PM	900 ± 70 nm	> 50% (900-1500 nm)	60% @ 1200 nm
FD6	1260 ± 40 nm	> 30% (1260-1900 nm)	40% @ 1650 nm
FD6-PM	1200 ± 70 nm	> 30% (1200-1900 nm)	35% @ 1700 nm
FD7 ²	< 400 nm	> 70% (450-1050 nm)	80% @ 750 nm
FD7-PM ²	< 400 nm	> 70% (450-950 nm)	80% @ 600 nm
FD8 ²	< 800 nm	> 40% (800-1700 nm)	55% @ 1300 nm
FD8-PM ²	N/A	N/A	N/A
FD9 ²	< 500 nm	> 50% (500-1300 nm)	60% @ 900 nm
FD9-PM ²	N/A	N/A	N/A
FD10 ³	N/A	> 80% (500-1100 nm)	90% @ 750 nm

¹ Valid for FC-connectorized fibers. Transmission through collimated fibers is approximately 10% lower. Fibers can be used above the indicated wavelength interval where transmission falls off smoothly (please refer to the transmission curves on the previous page).

² Endlessly single-mode LMA fiber.

³ Multi-mode fiber

Specifications

Optical

SuperK CONNECT

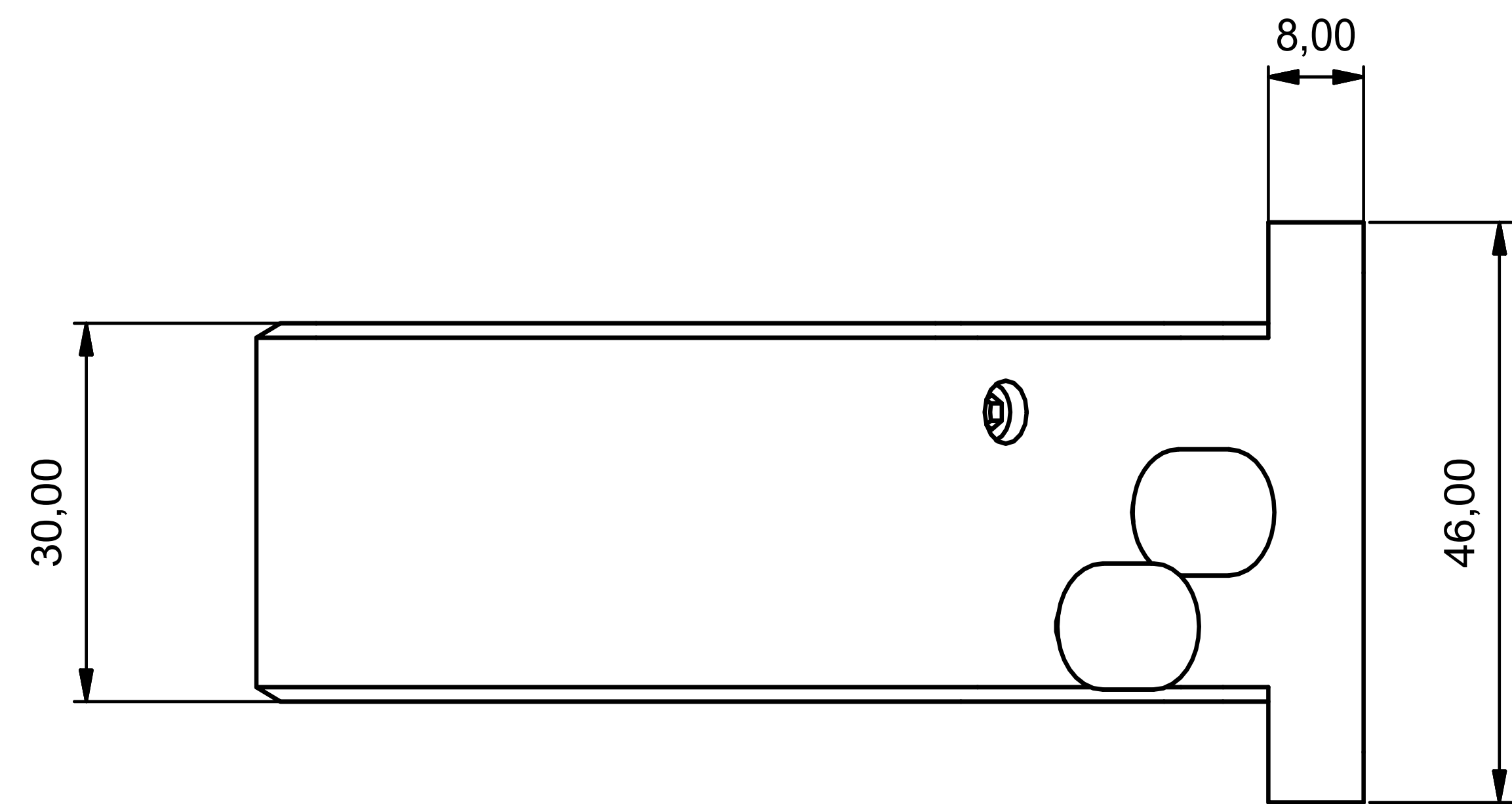
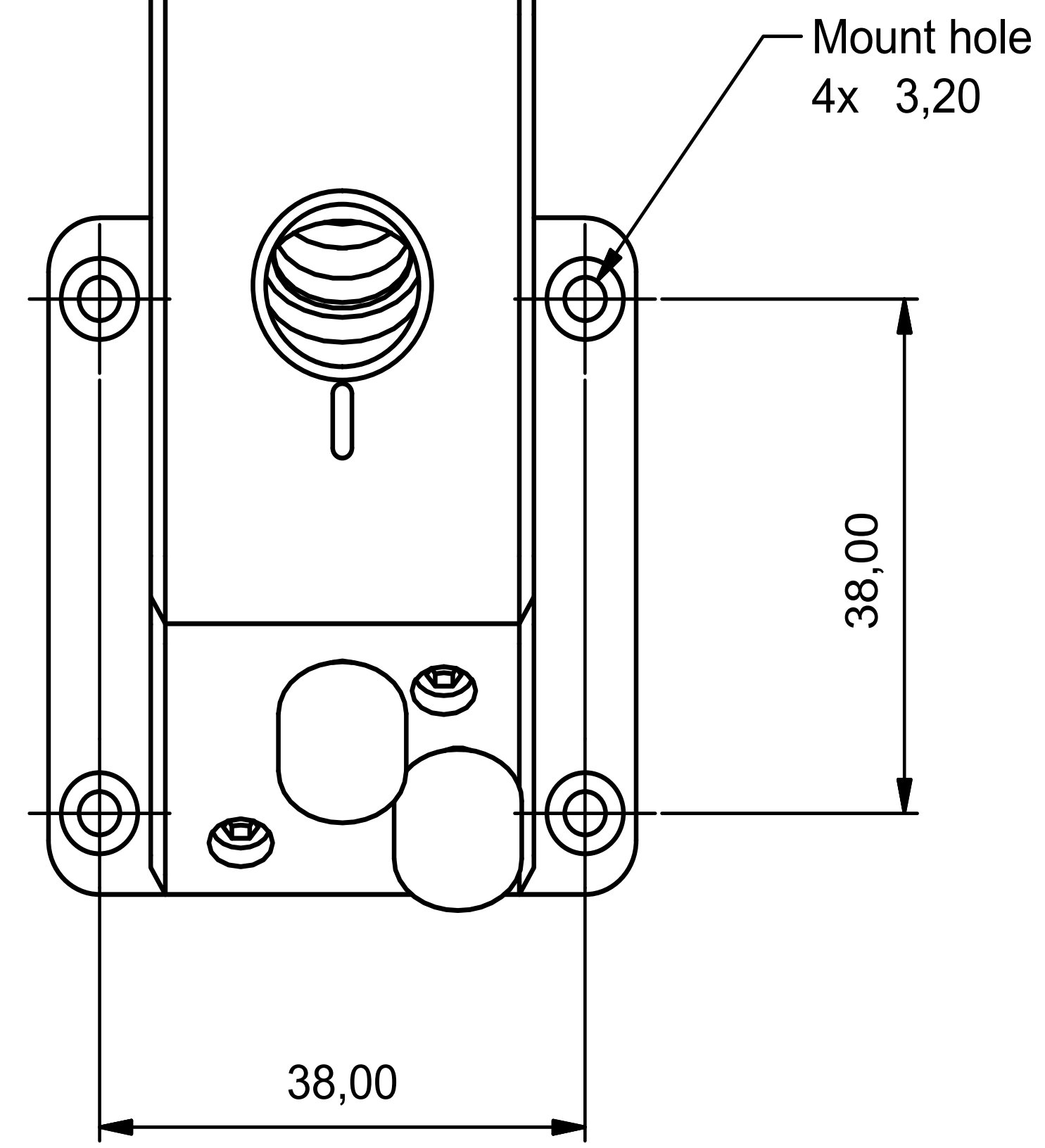
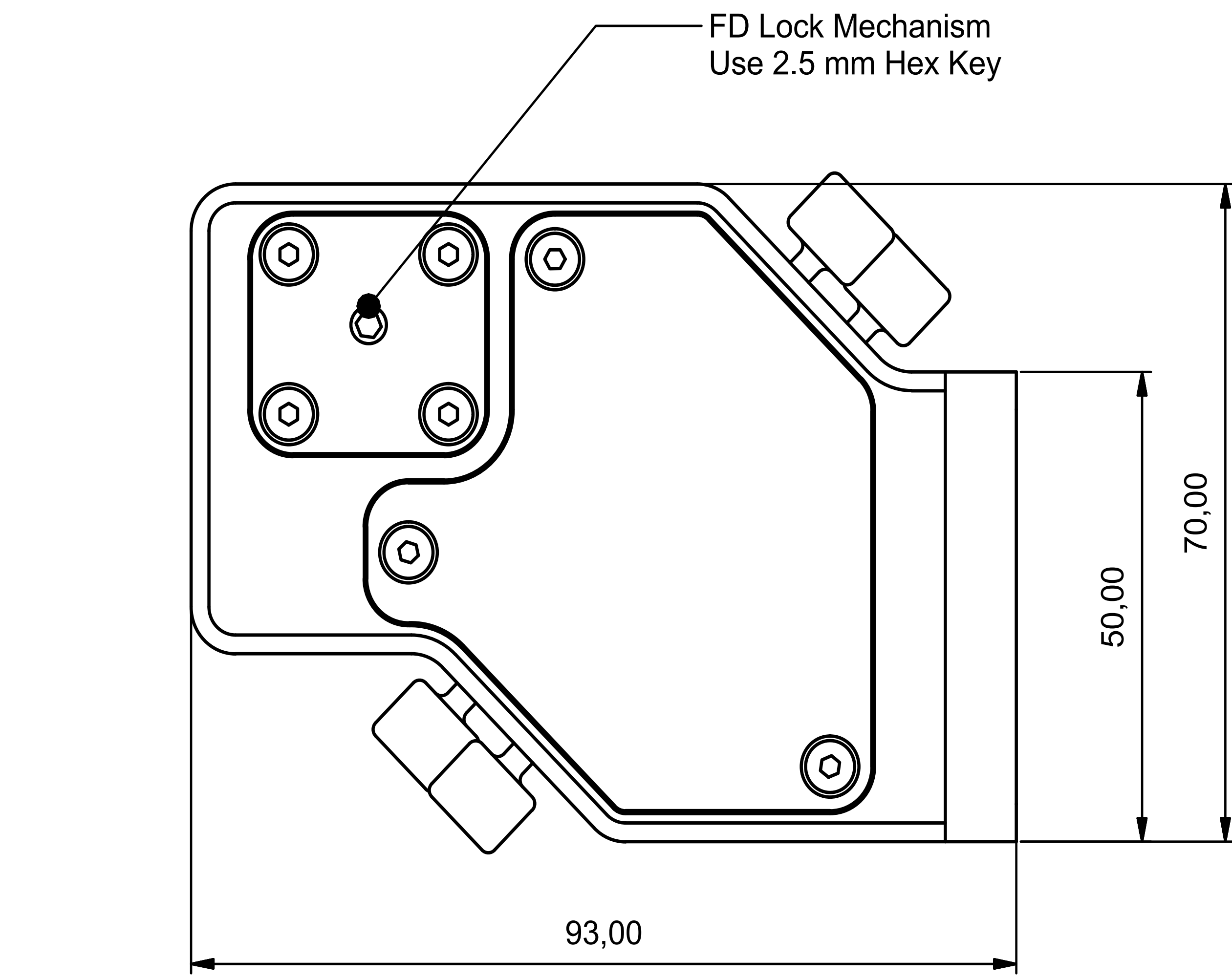
Model	Min./Typical PER	Insertion loss	Mode Field Diameter	Typical NA
FD1-PM	17/18 dB	< 2 dB @ 405 nm	2.3 ± 0.6 μm @ 410 nm	0.12
FD2	N/A	< 1.5 dB @ 532 nm	2.9 ± 0.6 μm @ 488 nm	0.12
FD3	N/A	< 1 dB @ 680 nm	4.5 ± 1.0 μm @ 780	0.12
FD3-PM	17/18 dB	< 1 dB @ 680 nm	4.5 ± 0.5 μm @ 630	0.12
FD4	N/A	< 0.8 dB @ 800 nm	5.0 ± 0.5 μm @ 850 nm	0.12
FD4-PM	17/18 dB	< 0.8 dB @ 800 nm	5.3 ± 1.0 μm @ 850 nm	0.12
FD5	N/A	< 0.5 dB @ 1050 nm	5.9 ± 0.3 μm @ 980 nm	0.14
FD5-PM	17/18 dB	< 0.5 dB @ 1050 nm	6.6 ± 1.0 μm @ 980 nm	0.12
FD6	N/A	< 0.5 dB @ 1310 nm	9.2 ± 0.4 μm @ 1310 nm	0.14
FD6-PM	17/18 dB	< 0.5 dB @ 1210 nm	9.3 ± 0.5 μm @ 1300 nm	0.12
FD7 ²	N/A	N/A	4.5 ± 0.5 μm @ 532 nm	0.09
FD7-PM ²	17/20 dB	N/A	4.2 ± 0.5 μm @ 532 nm	0.09
FD8	N/A	N/A	8.8 ± 1.0 μm @ 1064 nm	0.11
FD8-PM	N/A	N/A	8.6 ± 1.0 μm @ 1064 nm	0.12
FD9	N/A	N/A	8.8 ± 1.0 μm @ 1064 nm	0.11
FD9-PM	N/A	N/A	8.6 ± 1.0 μm @ 1064 nm	0.12
FD10 ³	N/A	N/A	62.5 ± 2.5 μm @ 1200 nm	0.275

¹ Endlessly single-mode LMA fiber

² Multi-mode fiber.

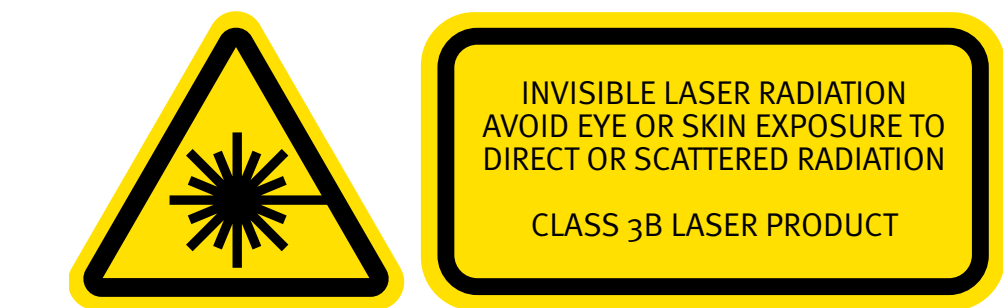
Technical Drawings

CONNECT FIBER DELIVERY system



SuperK CONNECT

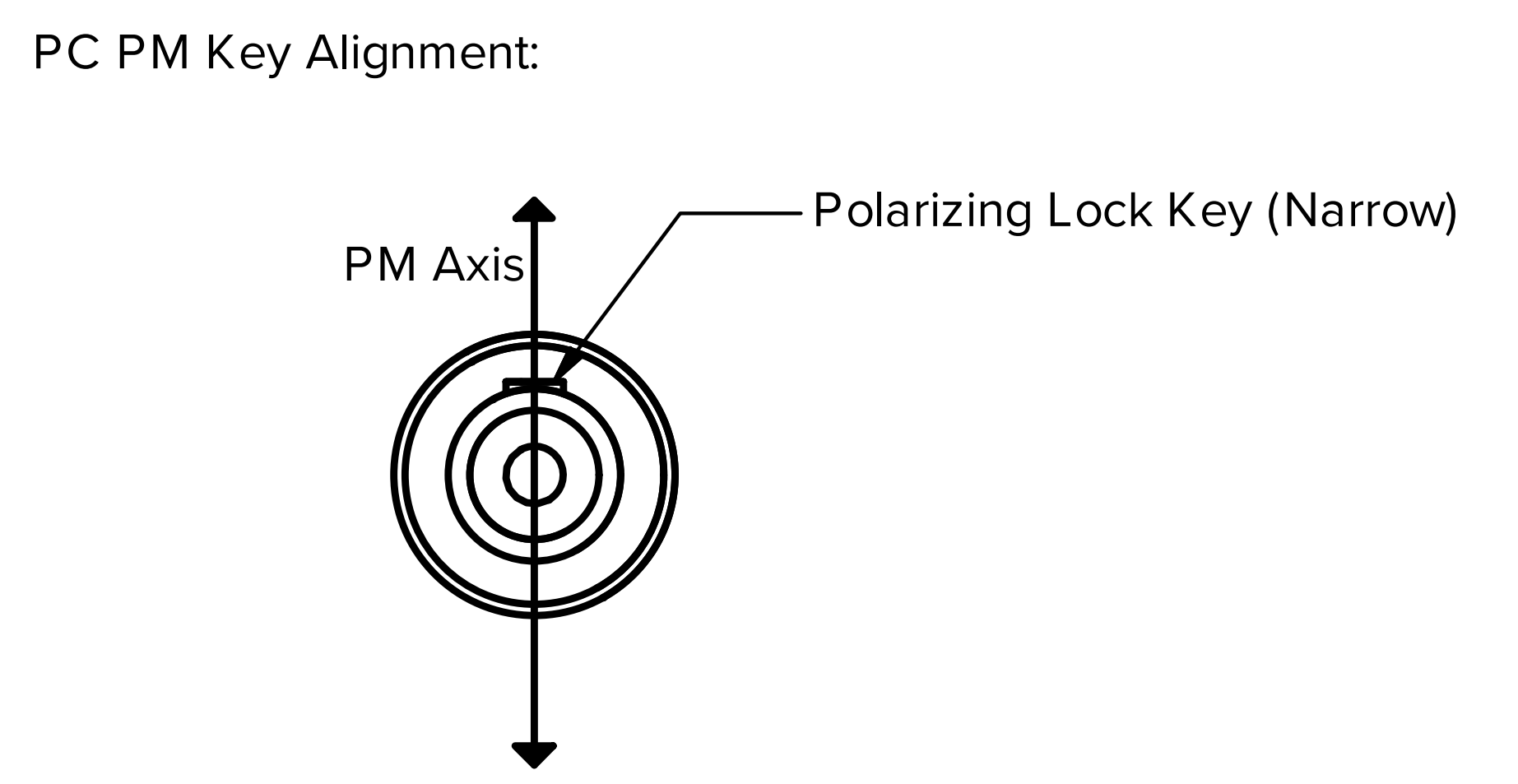
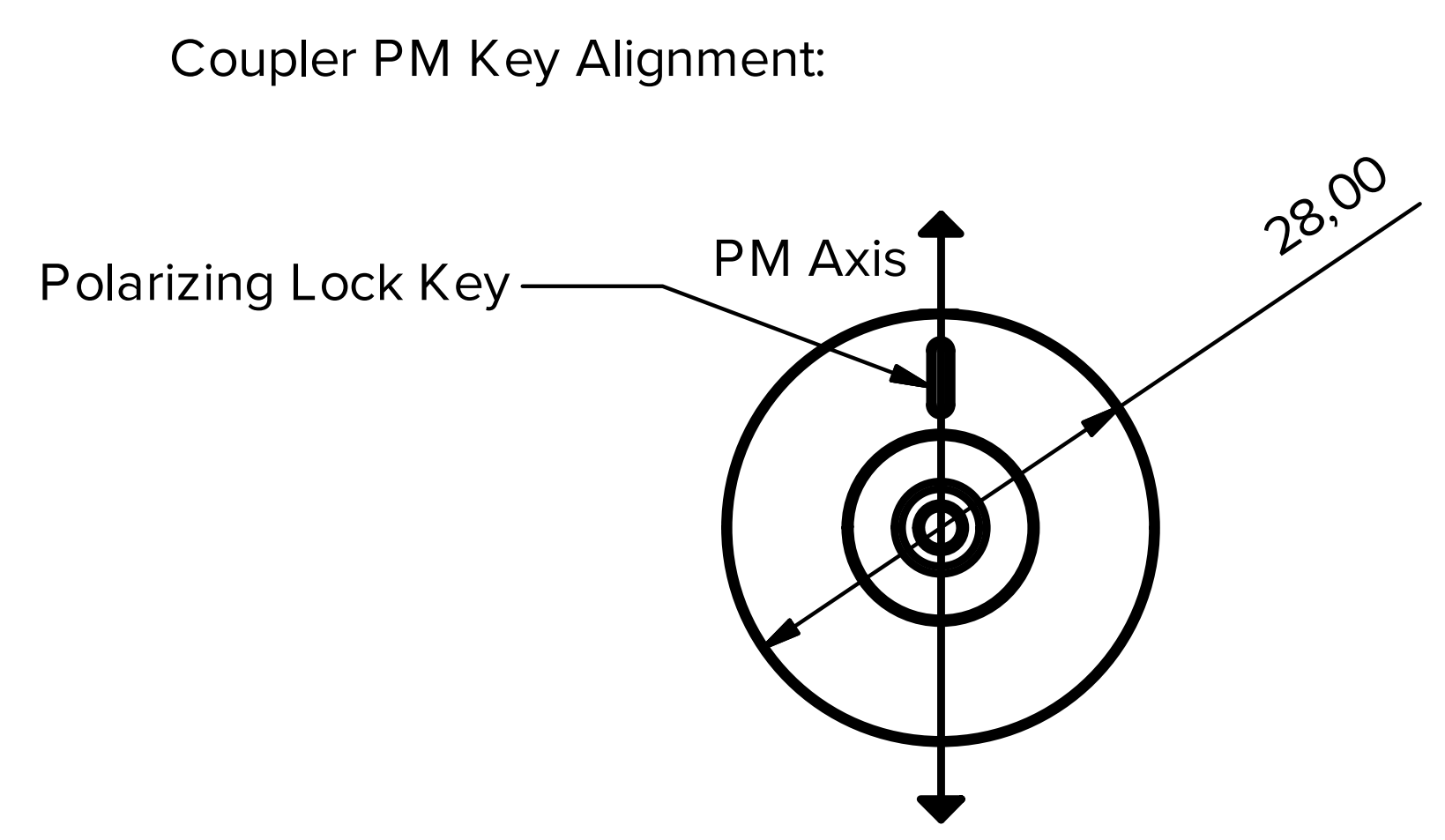
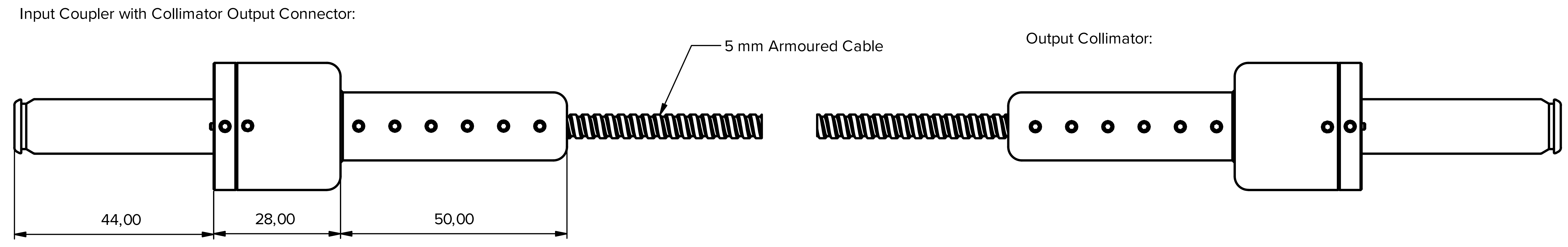
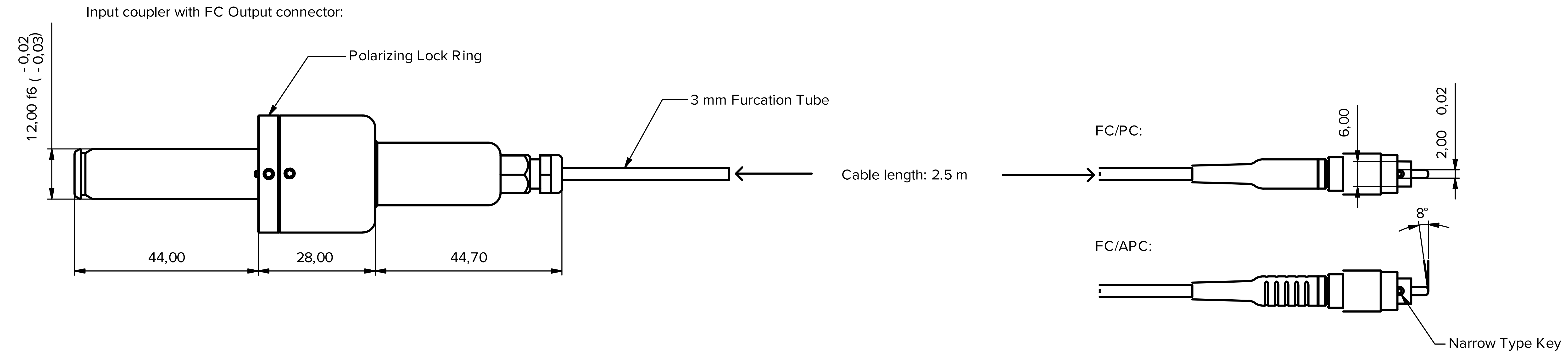
All NKT Photonics products are produced under our quality management system certified in accordance with the ISO 9001:2015 standard.



© Copyright 2023 NKT Photonics AS. All Rights Reserved. SuperK CONNECT_20230201

Technical Drawings

Coupler and collimator



SuperK CONNECT

All NKT Photonics products are produced under our quality management system certified in accordance with the ISO 9001:2015 standard.



SOLUTIONS FOR INNOVATORS