

Spec Review No.: SR2101011B

Date: Jul. 21, 2023

Customer:

Customer P/N:

Description: HP PM Filter Coupler, 2*2 1064nm

Optizone P/N: HPMFC-06-2-50-F-0.5-NNNN-BBBB-0.8-04A-01

Specifications

Parameters	Unit	Values
Center Wavelength	nm	1064
Operating Wavelength Range	nm	± 20
Coupling Ratio (for Port 2 & 4)	%	10±2, 20±4, 50
Max. Excess Loss	dB	1.0
Min. Extinction Ratio	dB	22
Min. Return Loss	dB	50
Max. Uniformity (for 50/50 only)	dB	0.6
Max. Optical Power (CW)	mW	300
Max. Peak Power for ns Pulse	kW	10
Max. Tensile Load	N	5
Fiber Type	-	PM Panda Fiber
Operating Temperature	°C	-5 to +70
Storage Temperature	°C	-40 to +85

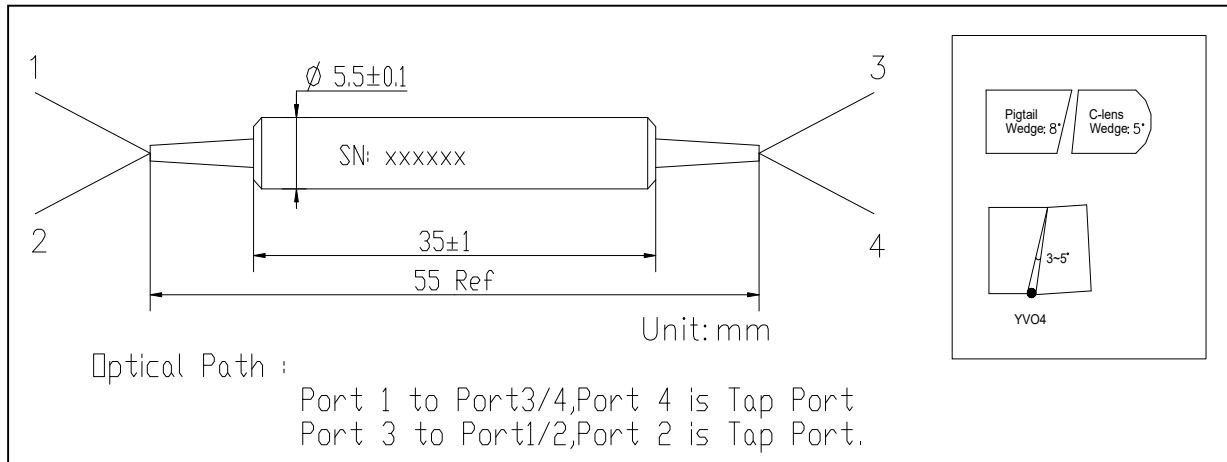
* Above specification are for devices without connector.

* For devices with connectors, IL will be 0.5dB higher, RL will be 5dB lower, ER will be 2dB lower.

* The PM fiber and the connector key are aligned to the slow axis.

* The material must be ROHS compliant.

Package Dimensions



Ordering Information

HPMFC-①-②-③-④-⑤-⑥⑥⑥⑥-⑦⑦⑦⑦-⑧-⑨-⑩

①: Wavelength
 06 - 1064nm
 S - Specify

⑤: Handling Power
 0.3 - 300mW
 S - Specify

⑧: Fiber Length
 0.8 - 0.8m
 S - Specify

②: Port
 2 - 2x2

⑥⑥⑥⑥: Connector Type on Port 1, 2, 3 & 4
 1A - FC/UPC
 2A - FC/APC

⑨: Fiber Type
 04A - PM980 Fiber on all Port
 30A - PM980 on Port 1/2, Hi1060 on Port 3/4
 S - Specify

③: Coupling Ratio
 10 - 10/90
 20 - 20/80
 50 - 50/50
 S - Specify

N - None
 S - Specify

⑩: Package Dimensions
 01 - Ø5.5x35
 S - Specify

④: Axis Alignment
 F - Fast Axis Blocked

⑦⑦⑦⑦: Fiber Jacket on Port 1, 2, 3 & 4
 B - 250um Bare Fiber
 C - 900um Loose Tube (Red)
 SS - Specify