



Mini Twin Polarization Insensitive Isolator

Features

- Low Insertion Loss
- High Isolation
- Excellent Temperature Stability
- Low Temperature Dependence

Applications

- EDFA
- Instrumentation
- Fiber Lasers
- Research

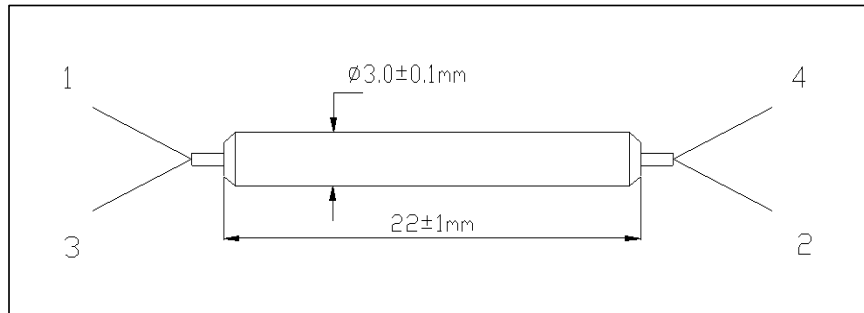
Specifications

Parameters	Unit	Values	
		Single Stage	Dual Stage
Center Wavelength	nm	1550	
Operating Wavelength Range	nm	±20	
Typ. Peak Isolation (Port 4 to Port 1, Port 3 to Port 2)	dB	40	55
Min. Isolation (Port 4 to Port 1, Port 3 to Port 2) at 23°C	dB	26	45
Typ. Insertion Loss (Port 1 to Port 4, Port 2 to Port 3) at 23°C	dB	0.45	0.55
Max. Insertion Loss (Port 1 to Port 4, Port 2 to Port 3) at -5°C-70°C	dB	0.65	0.75
Min. Return Loss (Input/Output)	dB	55 / 55	55 / 55
Min. Directivity (Port 1 to Port 2, Port 3 to Port 4) at 23°C	dB	55	55
Min. Crosstalk (Port 1 to Port 3, Port 2 to Port 4) at 23°C	dB	50	50
Max. PDL at 23°C	dB	0.05	0.1
Max. PMD	ps	0.2	0.05
Max. Optical Power (CW, total)	mW	500	
Max. Tensile Load	N	5	
Fiber Type		SMF-28e Fiber	
Operating Temperature	°C	-5 to +70	
Storage Temperature	°C	-40 to +85	

*Above specifications are for device without connector.

*For devices with connectors, IL will be 0.3dB higher and RL will be 5dB lower.

Package Dimensions



Ordering Information

MTPII- ①①-②-③③③③-④④④④-⑤

①①: Wavelength

55 - 1550nm

SS - Specify

②: Stage

S - Single Stage

D - Dual Stage

③③③③: Connector Type on Port 1, 2, 3 & 4

1 - FC/UPC

2 - FC/APC

3 - SC/UPC

4 - SC/APC

N - None

S - Specify

④④④④: Fiber Jacket on Port 1, 2, 3 & 4

B - 250um Bare Fiber

⑤: Fiber Length

1 - 1.0m

S - Specify