

## All-new fiber-optic single paddle polarization controller

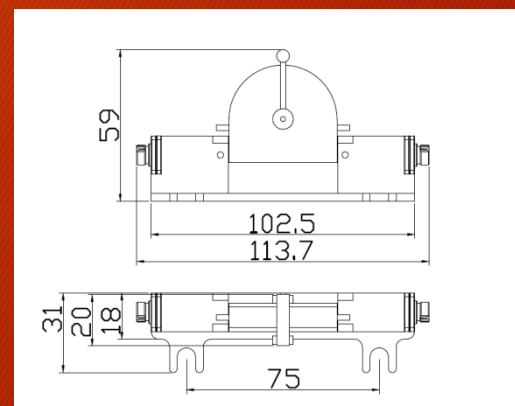
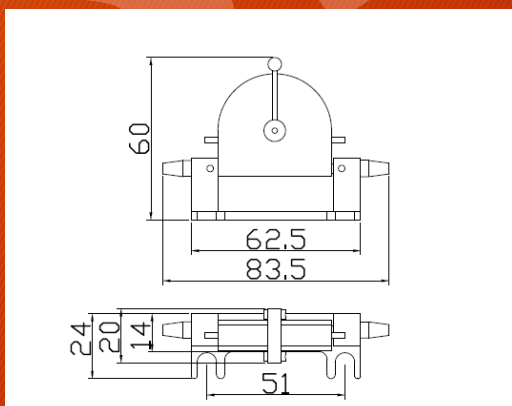
Patent pending

### Features

- Compact new single paddle design
- No squeezing fiber
- Short fiber length
- Negligible loss and back reflection
- Wavelength insensitive
- High extinction ratio (> 30dB)
- Easy to use (intuitive control)
- Available with or without connectors

### Applications

- Optical communication
- Fiber optic sensors
- Component testing
- Fiber laser
- PDL measurement



## Specifications

Polarization Extinction Ratio (dB)	> 30
Insertion loss (dB)	< 0.4
Polarization dependent loss (dB)	< 0.03 (typical)
Operation range (nm)	1260 - 1625

## Ordering Code

