



High Power Polarization Insensitive Isolator Core

Features

- Low Insertion Loss
- High Isolation
- High Power Handling

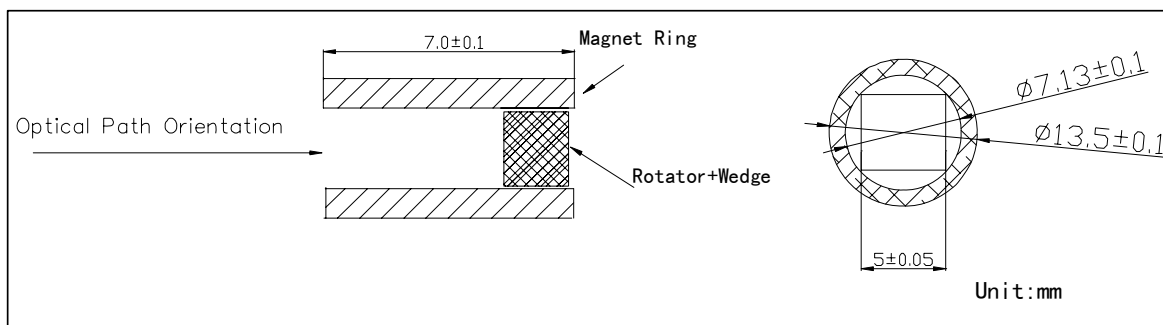
Applications

- Fiber Amplifier
- Fiber Laser
- Instrumentation
- Lab Research

Specifications

Parameters	Unit	Values	
		Single Stage	Dual Stage
Stage	-	Single Stage	Dual Stage
Center Wavelength (λ_c)	nm	1310, 1480, 1550 or 1620	
Operating Wavelength Range	nm	±10	
Typ. Peak Isolation	dB	40	58
Min. Isolation at 23°C, λ_c	dB	30	48
Typ. Insertion Loss	dB	0.15	0.25
Max. Insertion Loss at 23°C, λ_c	dB	0.2	0.35
Max. PDL at 23°C	dB	0.1	0.1
Max. Optical Power (CW)	W	10	10
Max. Peak Power for ns Pulse	kW	10	
Clear Aperture	mm	Φ 4.0	
Operating Temperature	°C	-5 to +70	
Storage Temperature	°C	-40 to +85 (No Condensing)	

Package Dimensions



Ordering Information

HPIIC-①①-②-③

①①: Wavelength

31 - 1310nm

55 - 1550nm

48 - 1480nm

②: Stage

S - Single Stage

D - Dual Stage

③: Optical Path Orientation

F - Forward

B - Backward