

**Optizone High Power Polarization Insensitive Isolator**

**Features**

Optical Path Epoxy-free Design  
 High Performance  
 High Reliability  
 Low Cost  
 Special Process & Design

**Applications**

EDFAs  
 Raman Amplifiers  
 DWDM Systems  
 Fiber Lasers  
 Lab Research

**Specifications**

Parameters	Unit	Values	
Stage		Single Stage	Dual Stage
Center Wavelength	nm	1310, 1480, 1550, 1590, 1620	
Operating Wavelength Range	nm	±20	
Typ. Peak Isolation	dB	42	58
Min. Isolation at 23°C	dB	28	48
Typ. Insertion Loss at 23°C	dB	0.35	0.4
Max. Insertion Loss at 23°C, λ c	dB	0.5	0.6
Min. Return Loss (Input/Output)	dB	57 / 55	57 / 55
Max.PDL at 23°C	dB	0.08	0.1
Max.PMD	ps	0.2 <sup>1</sup>	0.05
Max. Optical Power (CW)	W	1, 3, 5, 10 or Specify	
Max. Peak Power for ns Pulse	kW	10	
Max. Tensile Load	N	5	
Fiber Type		SMF-28e Fiber	
Operating Temperature	°C	-5 to +70	
Storage Temperature	°C	-40 to +85	

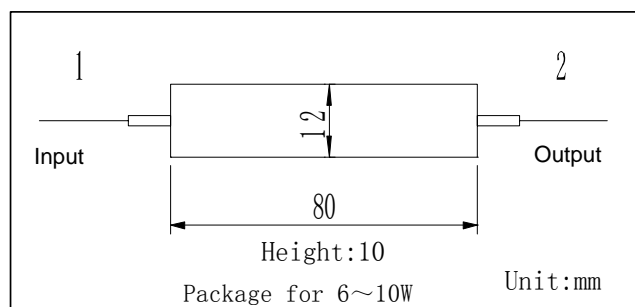
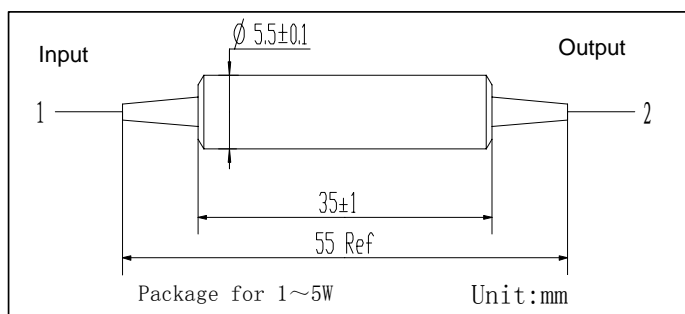
\*PMD<0.05ps is available. Please refer to below ordering information.

\*Above specifications are for device without connector.

\*For devices with connectors, IL will be 0.3dB higher and RL will be 5dB lower and optical power is only 1W(CW).

\*For pulse application please discuss with Optizone.

**Package Dimensions**



**Ordering Information**

**HP11-①①-②-③-④-⑤⑤-⑥⑥-⑦**

①①: Wavelength

- 31 - 1310nm
- 48 - 1480nm
- 55 - 1550nm
- SS - Specify

②: Stage

- S - Single Stage
- D - Dual Stage

③: Power Level

- 1 - 1W
- 3 - 3W
- 5 - 5W
- 10 - 10W
- S - Specify

④: PMD

- 1 - 0.05ps Max.
- 2 - Refer to above Spec.

⑤⑤: Connector Type on Port 1 & 2

- 1 - FC/UPC
- 2 - FC/APC
- 3 - SC/UPC
- 4 - SC/APC
- N - None
- S - Specify

⑥⑥: Fiber Jacket on Port 1 & 2

- B - 250um Bare Fiber
- L - 900um Loose Tube
- C - 3mm Cable
- S - Specify

⑦: Fiber Length

- 1 - 1.0m
- S - Specify