

Features

- High Handling Power
- Low Insertion
- High Return Loss

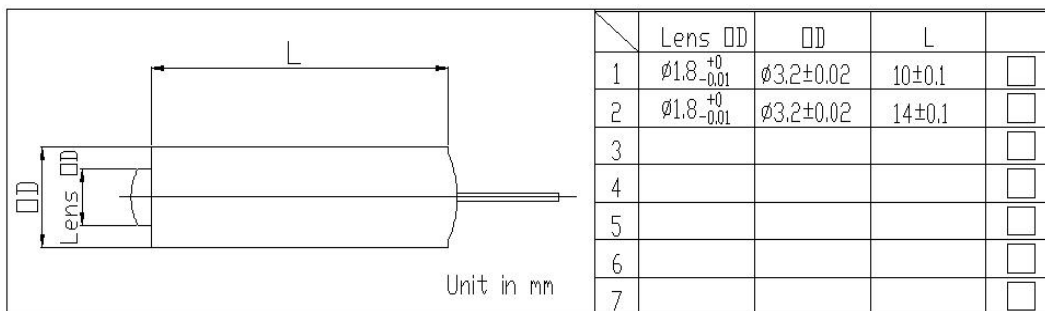
Applications

Fiber Optics Components

Specifications

| Parameters | Unit | Values |
|------------------------------|------|----------------------------|
| Center Wavelength | nm | 1064 |
| Operating Wavelength Range | nm | ±20 |
| Nominal Beam Diameter | mm | 0.4 、 0.5 、 0.9 or Specify |
| Working Distance | mm | 50 or Specify |
| Typ. Insertion Loss at 50mm | dB | 0.2-0.4 |
| Max. Insertion Loss at 50mm | dB | 0.5 |
| Min. Return Loss | dB | 50 |
| Max. PDL | dB | 0.02 |
| Max. Optical Power (CW) | W | 3、 5、 10 or Specify |
| Max. Peak Power for ns Pulse | kW | 10 |
| Max. Tensile Load | N | 5 |
| Operating Temperature | °C | -5 to +70 |
| Storage Temperature | °C | -40 to +85 |

Package Dimensions



Ordering Information

HC-①①-②②-③③-④④-⑤⑤-⑥⑥-⑦⑦-⑧⑧

①①: Wavelength
 06 - 1064nm
 SS - Specify

②②: Beam Diameter
 04 - 0.4mm
 05 - 0.5mm
 09 - 0.9mm
 SS - Specify

③③: Working Distance
 50 - 50mm
 SS - Specify

④④: Fiber Jacket
 L - 900um Loose Tube
 C - 3mm Loose Cable
 A - 3mm Armoured Cable
 S - Specify

⑤⑤: Handling Power
 03 - 3W
 05 - 5W
 10 - 10W
 SS - Specify

⑥⑥: Fiber Type
 1 - HI 1060 Fiber

⑦⑦: Fiber Length
 1.5 - 1.5m
 S - Specify

⑧⑧: Package Type
 1 - Dia 3.2*10
 2 - Dia 3.2*14