

**Features**

- High Isolation
- Low Insertion Loss
- Large Aperture

**Applications**

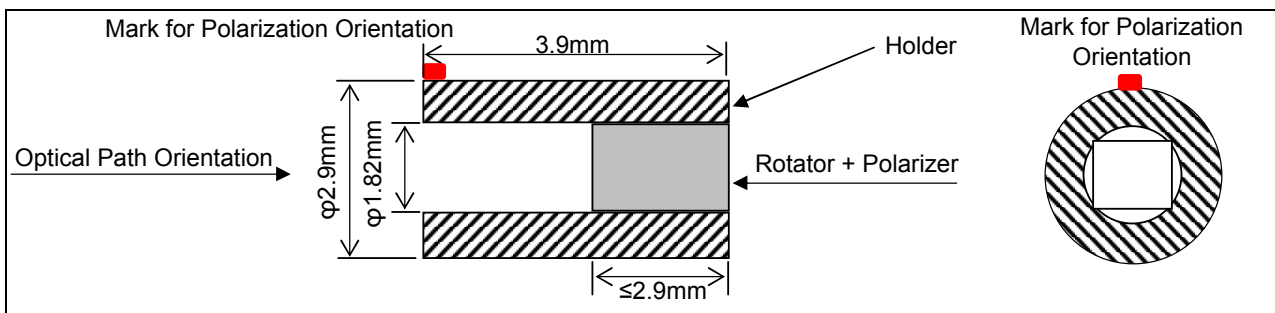
- Fiber Optic Lasers
- Fiber Amplifier
- Research

**Specifications**

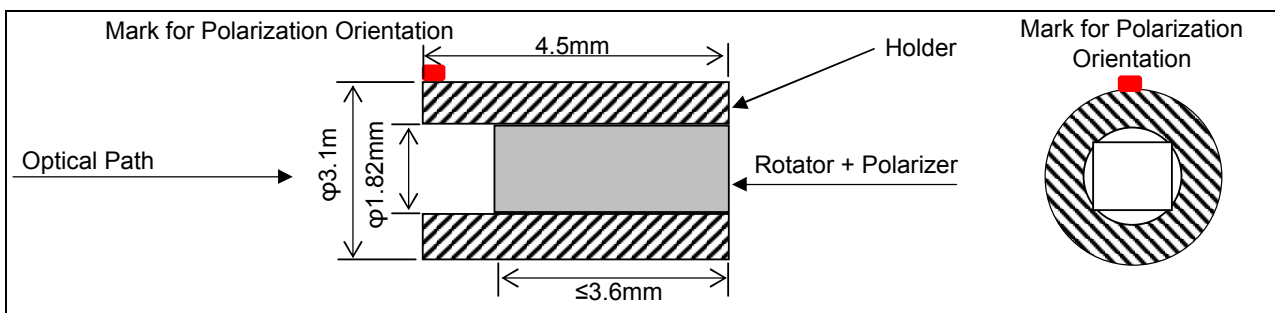
Parameter	Unit	Values	
		Single Stage	Dual Stage
Center Wavelength	nm	2000	
Operating Wavelength Range	nm	±50	
Typ. Peak Isolation	dB	38	50
Min. Isolation at 23°C	dB	18	32
Typ. Insertion Loss at 23°C	dB	0.2	0.3
Max. Insertion Loss at 23°C	dB	0.4	0.5
Clear Aperture	mm	0.9	
Polarization Plane of Input		Illustrated in Below Drawing	
Tilt Angle of Input Light	deg	0	
Max. Optical Power (CW)	mW	500 (Polarized Light & Proper Alignment Is Necessary)	
Operating Temperature	°C	-5 to +70	
Storage Temperature	°C	-40 to +85	

**Package Dimensions**

**Single Stage**



**Dual Stage**



**Ordering Information**

FSI-①①-②-③

- ①①: Wavelength  
20 - 2000nm  
SS - Specify

- ②: Stage  
S - Single Stage  
D - Dual Stage

- ③: Optical Path Orientation  
F - Forward (as indicated above)  
B - Backward