

# 1310/1550nm Free Space Isolator

## Features

High Isolation  
 Low Insertion Loss  
 Large Aperture Features

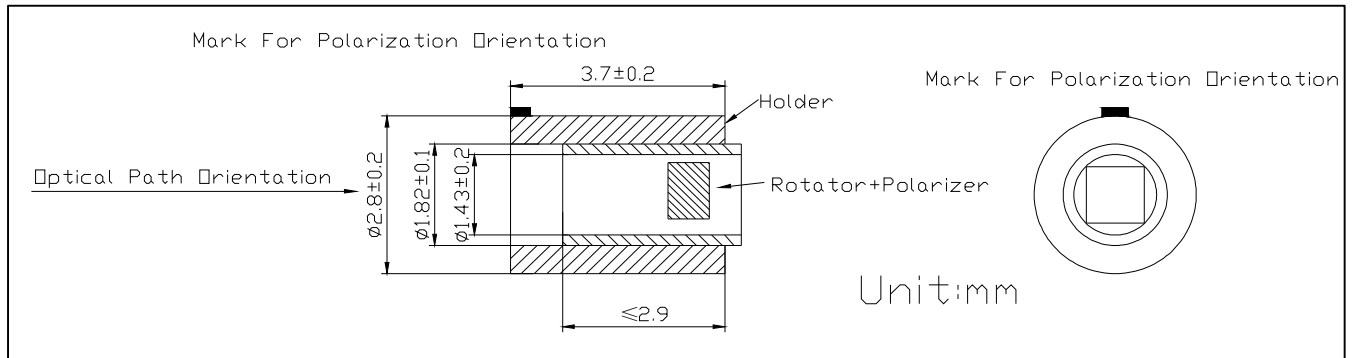
## Applications

Fiber Optic Lasers  
 Optical Transmitters & Transceivers  
 Research

## Specifications

Parameter	Unit	Values	
		Single Stage	Dual Stage
Stage		Single Stage	Dual Stage
Center Wavelength ( $\lambda_c$ )	nm	1310 or 1550	
Operating Wavelength Range	nm	$\pm 20$	
Typ. Peak Isolation	dB	42	55
Min. Isolation at 23°C, $\lambda_c$	dB	35	46
Typ. Insertion Loss at 23°C, Proper SOP	dB	0.2	0.3
Max. Insertion Loss at 23°C, Proper SOP	dB	0.3	0.4
Min. Extinction Ratio	dB	25	
Min. PDL	dB	25	
Clear Aperture	mm	0.9	
Polarization Plane of Input		Refer to Drawing Below	
Tilt Angle of Input Polarization	deg	0	
Max. Optical Power (CW), Proper SOP	mW	500 @BD500um (Proper Alignment Is Necessary)	
Operating Temperature	°C	-5 to +70	
Storage Temperature	°C	-40 to +85	

## Package Dimensions



## Ordering Information

FSI-①①-②-③-④

①①: Wavelength

31 - 1310nm

55 - 1550nm

SS - Specify

②: Stage

S - Single Stage

D - Dual Stage

③: Optical Path Orientation

F - Forward (as indicated above)

B - Backward

④: Package Size

1 - dia2.8×L3.7mm

S - Specify