

## Fiber Optical Cable-Type Q16 (Indirect water cooling)

### Features

High Handling Power  
 Water Cooling System & Compatible Design  
 Cladding Mode Stripper Integrated  
 Interlock System Integrated  
 Excellent Environmental Stability and Reliability

### Applications

Fiber Lasers  
 Research & Design  
 Laser Cutting  
 Laser Cleaning  
 Laser Welding

### Specifications

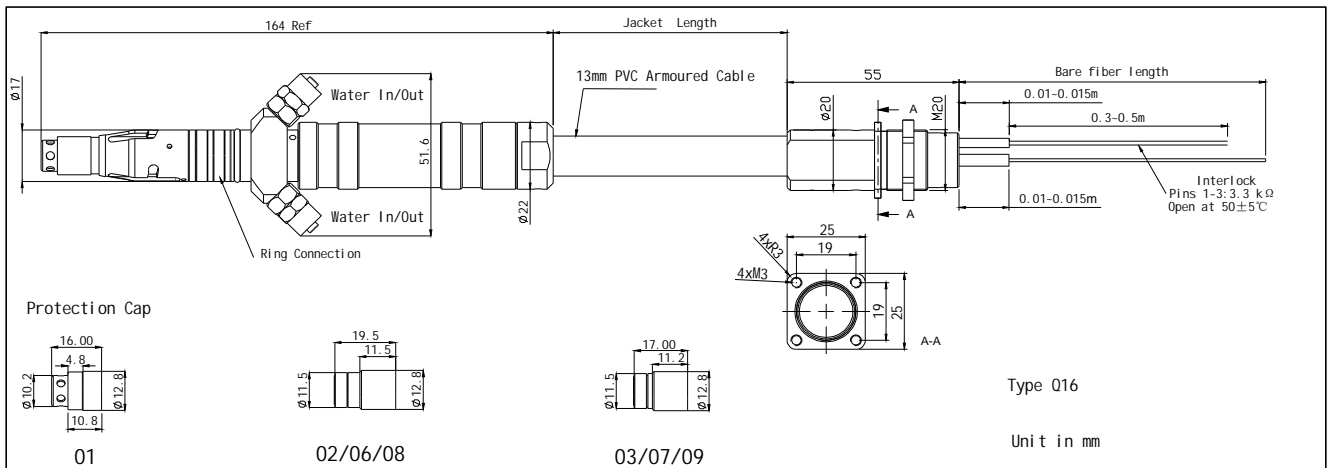
Parameters	Unit	Values
Operating Wavelength	nm	900~1000 (Nominal Center Wavelength 950nm) 1030~1090 (Nominal Center Wavelength 1064 nm)
Typ. Transmission Ratio	-	102%(Based on Reference w/o AR Coating)
Min. Transmission Ratio	-	101%(Based on Reference w/o AR Coating)
Max. Handling Power (CW)	W	1000, 2000, 4000, 6000 , 8000 or Specify
Pulse Power	-	Max. 10KW @10ms Max. 50KW @1ms Max. 1MW @50ns
Loss Power Handling Capability	-	1KW for 10 min 500W Continuously
Nominal Beam Pointing Accuracy	mrad	17
Cladding Light Stripping Efficiency	dB	≥10
Min. Beam Ellipticity	-	0.92
Max. Fiber Tensile Load	N	5
Package Material	-	Stainless Steel / Aluminum / Copper
Operating Temperature	℃	+10 to +50
Storage Temperature	℃	-10 to +75
Max. Water Pressure	Bar	8
Flow of Water	L/min	1.5-3
Bare Fiber Length ≤1m	-	The Bare Fiber Length Tolerance is -0.1~+∞m
1m<Bare Fiber Length ≤2m	-	The Bare Fiber Length Tolerance is -0.2~+∞m
Bare Fiber Length >2m	-	The Bare Fiber Length Tolerance is -0.3~+∞m
Jacket Length ≤15m	-	The Jacket Length Tolerance is 0~0.3m
15m<Jacket Length ≤30m	-	The Jacket Length Tolerance is 0~0.5m
Fiber Length >30m	-	The Jacket Length Tolerance is 0~1.0m

\*The actual dimensions may be different from above drawing due to different requirements, please see shipment data sheet.

\*For FOC without window, the transmission @635nm is around 80%.

\*The material must be RoHS compliant.

### Package Dimensions



**Ordering Information**

**FOC-①①-②②-③③-④④-⑤⑤-⑥⑥-⑦⑦-⑧⑧-⑨⑨**

①①: Wavelength

06 - 1064nm

08 - 1080nm

SS - Specify

②②: Connector Type

QB - QBH Compatible

③③: Handling Power

1000 - 1000W

1500 - 1500W

2000 - 2000W

3000 - 3000W

3500 - 3500W

4000 - 4000W

4500 - 4500W

6000 - 6000W

8000 - 8000W

S - Specify

④④: Fiber Type

01 - Nufern GDF-20/400-M NA0.065

03 - Nufern BD-S100/120/360-STN NA0.22

10 - Nufern BD-S50/70/360-STN NA0.22

11 - Coractive DCF-UN 50/400 NA0.12

20 - Nufern LMA-GDF- 30/250-M NA0.06

61 - YOFC GDF-DC-50/400 NA0.12

SS - Specify

⑤⑤: Jacket Length

10 - 10m 13mm Armoured Cable

15 - 15m 13mm Armoured Cable

18 - 18m 13mm Armoured Cable

20 - 20m 13mm Armoured Cable

22 - 22m 13mm Armoured Cable

23 - 23m 13mm Armoured Cable

SS - Specify

⑥⑥: Bare Fiber Length With Loose Tube

1.5 - 1.5 m

02 - 2 m

SS - Specify

⑦⑦: Package Type

Q16 - Type Q16

⑧⑧: Protection Cap Type

01 - Aluminum Without Window

02 - Aluminum With Window For SM Fiber

03 - Aluminum With Window For MM Fiber

06 - Stainless Steel With Window For SM

07 - Stainless Steel With Window For MM

08 - Aluminum With Window For SM Fiber ,

Transmission Ratio @635nm  $\geq$ 98%

09 - Aluminum With Window For MM Fiber ,

Transmission Ratio @635nm  $\geq$ 98%

SS - Specify

⑨⑨: Water Pipe Length

05 - 5×2m

NN - None

SS - Specify