
**Optizone Polarization Insensitive 3 Ports 1064nm Optic Circulator**
**Features**

Low Insertion Loss & PDL  
 High Channel Isolation  
 Optical Path Epoxy Free  
 Telcordia Compliant

**Applications**

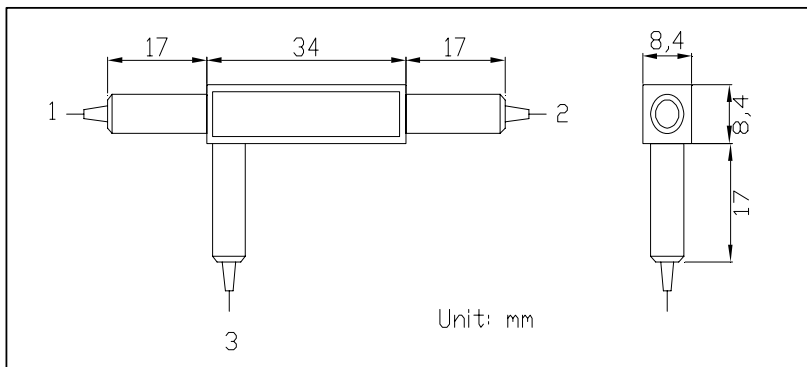
Optical Amplifiers  
 FBG Applications  
 Dispersion Compensation  
 Fiber Sensors

**Specifications**

Parameter	Unit	Values
Center Wavelength	nm	1064
Operating Wavelength Range	nm	± 10
Max. Insertion Loss(1→2, 2→3)@1064nm, 23°C	dB	2.1, Typ.1.8
Max. Insertion Loss(1→2, 2→3)@1064nm±10, 23°C	dB	2.8
Typ. Isolation(3→2, 2→1), 23°C	dB	25
Min. Isolation(3→2, 2→1), 23°C	dB	20
Min. Directivity	dB	45
Min. Return Loss	dB	50
Max. PDL, 23°C	dB	0.2
Max. Optical Power (CW, total)	mW	300
Max. Tensile Load	N	5
Fiber Type		HI 1060 Fiber
Operating Temperature	°C	-5 to +50
Storage Temperature	°C	-40 to +85

\*Above specifications are for device without connector.

\*For devices with connectors, IL will be 0.3dB higher, RL will be 5dB lower.

**Package Dimensions****Ordering Information**

**FCIR-①①-②②②-③③③-④**

①①: Wavelength

06 - 1064nm

SS - Specify

②②②: Connector Type on Port 1, 2 & 3

1 - FC/UPC

2 - FC/APC

3 - SC/UPC

4 - SC/APC

N - None

S - Specify

③③③: Fiber Jacket on Port 1, 2 & 3

B - 250um Bare Fiber

L - 900um Loose Tube

S - Specify

④: Fiber Length

1 - 1.0m

S - Specify