



C Band/L Band Filter Wavelength Division Multiplexer

Features

- Wide Pass Band
- Low Insertion Loss
- High Return Loss
- Excellent Environmental Stability

Applications

- DWDM Systems
- EDFAs

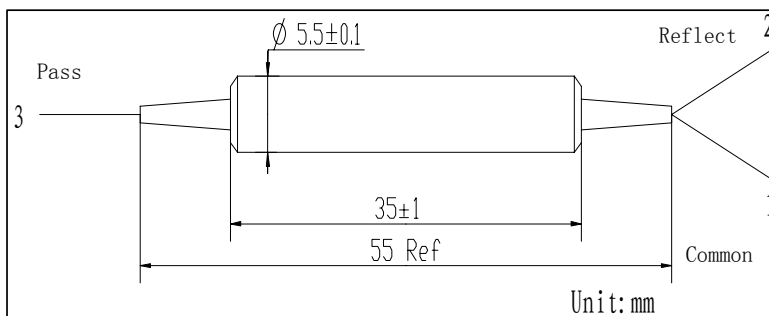
Specifications

Parameters		Unit	Values
Pass Band	Wavelength Range	nm	1530-1561 (1571-1605)
	Max. Insertion Loss	dB	0.7
	Typ. Insertion Loss	dB	0.5
	Min. Isolation at 23°C	dB	22
	Typ. Isolation	dB	25
Reflection Band	Wavelength Range	nm	1571-1605 (1530-1561)
	Max. Insertion Loss	dB	0.5
	Typ. Insertion Loss	dB	0.3
	Min. Isolation at 23°C	dB	12
	Typ. Isolation	dB	15
Optical Return Loss		dB	50
Typ. PDL		dB	0.05
Max. PDL		dB	0.1
Thermal Stability		dB/°C	≤0.005
Max. Optical Power (CW)		mW	500
Max. Tensile Load		N	5
Fiber Type			SMF-28e Fiber
Operating Temperature		°C	-5 to +70
Storage Temperature		°C	-40 to +85

*Above specifications are for device without connector.

*For devices with connectors, IL will be 0.3dB higher and RL will be 5dB lower.

Package Dimensions



Ordering Information

CLWDM-①①①①-②②②-③③③-④

①①①①: Wavelength

- 6171 - 1530-1561nm Pass / 1571-1605nm Reflect
- 7161 - 1571-1605nm Pass / 1530-1561nm Reflect
- SSSS - Specify

③③③: Fiber Jacket on Port 1, 2 & 3

- B - 250um Bare Fiber
- L - 900um Loose Tube
- S - Specify

②②②: Connector Type on Port 1, 2 & 3

- 1 - FC/UPC
- 2 - FC/APC
- 3 - SC/UPC
- 4 - SC/APC
- N - None
- S - Specify

④: Fiber Length

- 1 - 1.0m
- S - Specify