

Optizone PM Single Mode Standard Coupler

Product Features

- Low Excess Loss
- High Extinction Ratio
- High Stability and Reliability

Product Applications

- Optical Amplifier
- Power Monitoring
- Coherent Communication
- Fiber Gyroscope

Specifications

Parameters	Unit	Premium	A grade	Premium	A grade	
Center Wavelength	nm	980,1030,1064 or Specify		1310,1480,1550,1940,2000 or Specify		
Operating W.L.	nm	±20		±20		
Max. Splitting Ratio Tolerance (CR)	50/50	%	±5.0	±6.0	±5.0	±6.0
	40/60	%	±4.0	±4.8	±4.0	±4.8
	30/70	%	±3.0	±3.7	±3.0	±3.7
	20/80	%	±2.5	±3.0	±2.5	±3.0
	10/90	%	±2.2	±2.4	±2.2	±2.4
	5/95	%	±1.5	±1.7	±1.5	±1.7
	3/97	%	±1.1	±1.3	±1.1	±1.3
	2/98	%	±0.8	±1.0	±0.8	±1.0
Min. Polarization Extinction Ratio	CR > 10%	dB	18	15	20	17
	10% ≥ CR > 1%	dB	14	11	16	13
	CR ≤ 1%	dB	NA	NA	NA	NA
Max. Excess Loss	dB	0.8	1.0	0.4	0.6	
Min. Return loss	dB	50				
Max. Power Handling	mW	500				
Operating Temperature	℃	-5~70				
Storage Temperature	℃	-40~85				
Fiber Type	-	PM Fiber				
Package Dimensions	250um Bare Fiber	mm	Ø3.0x50 or Ø3.0x40			
	900um Loose Tube	mm	Ø3.0x56			

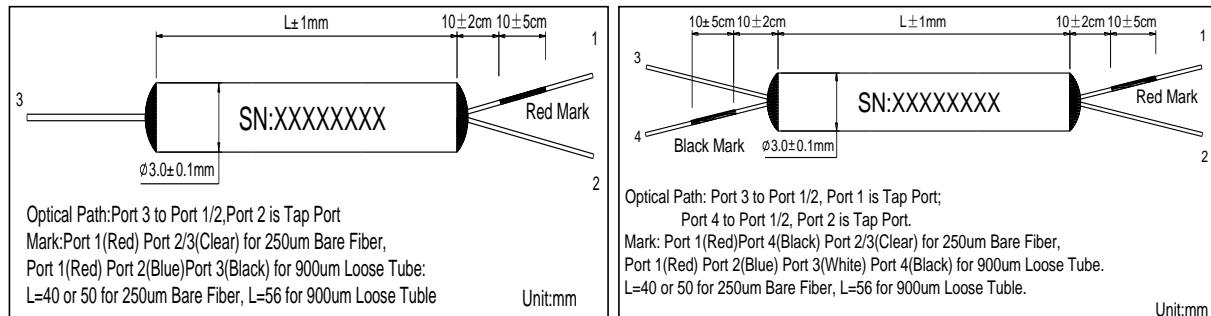
*Above specifications are for device without connector.

*For devices with connectors, IL will be 0.3dB (1310-2000) or 0.5dB (980-1064) higher, ER will be 2dB lower and RL will be 5dB lower.

*The PM fiber and the connector key are aligned to the slow axis.

* The material must be RoHS compliant.

Package Dimensions



Ordering Information

PMSMC-①①-②③③-④④④④-⑤⑤⑤⑤-⑥-⑦⑦-⑧⑧

- | | | | |
|--|---|---|--|
| ①①: Wavelength
98 - 980nm
03 - 1030nm
06 - 1064nm
31 - 1310nm
55 - 1550nm
19 - 1940nm
20 - 2000nm
SS - Specify | ③③: Coupling Ratio
01 - 1/99
02 - 2/98
05 - 5/95
10 - 10/90
20 - 20/80
30 - 30/70
40 - 40/60
50 - 50/50
SS - Specify | ④④④④: Connector Type
1B - FC/UPC
2B - FC/APC
3B - SC/UPC
4B - SC/APC
N - None
S - Specify | ⑥: Fiber Length
1 - 1.0m
S - Specify |
| ②: Port
1 - 1X2
2 - 2X2 | ⑤⑤⑤⑤: Fiber Jacket
B - 250um Bare Fiber
C - 900um Loose Tube (Red)
D - 900um Loose Tube (Blue)
E - 900um Loose Tube (Black)
F - 900um Loose Tube (White) | ⑦⑦: Fiber Type
01 - PM 980 Fiber
02 - PM 980 Fiber (长飞)
03 - Nufern PM980-XP fiber
04 - PM1550 Fiber
05 - PM 1550 Fiber (长飞)
06 - Nufern PM1550-XP Fiber
30 - PM1950 Fiber | ⑧⑧: Package Size
12 - Ø3.0x50
14 - Ø3.0x40
16 - Ø3.0x56 |



High Power PM Single Mode Standard Coupler

Product Features

- Low Excess Loss
- High Extinction Ratio
- High Stability and Reliability

Product Applications

- Optical Amplifier
- Power Monitoring
- Coherent Communication
- Fiber Gyroscope

Specifications

Parameters		Unit	Premium	A grade	Premium	A grade
Center Wavelength		nm	980,1030,1064 or Specify		1310,1480,1550,1940,2000 or Specify	
Operating W.L.		nm	±20		±20	
Max. Splitting Ratio Tolerance (CR)	50/50	%	±5.0	±6.0	±5.0	±6.0
	40/60	%	±4.0	±4.8	±4.0	±4.8
	30/70	%	±3.0	±3.7	±3.0	±3.7
	20/80	%	±2.5	±3.0	±2.5	±3.0
	10/90	%	±2.2	±2.4	±2.2	±2.4
	5/95	%	±1.5	±1.7	±1.5	±1.7
	3/97	%	±1.1	±1.3	±1.1	±1.3
	2/98	%	±0.8	±1.0	±0.8	±1.0
Min. Polarization Extinction Ratio	CR > 10%	dB	18	15	20	17
	10% ≥ CR > 1%	dB	14	11	16	13
	CR ≤ 1%	dB	NA	NA	NA	NA
Max. Excess Loss		dB	0.8	1.0	0.4	0.6
Min. Return Loss		dB	50			
Max. Power Handling		W	1,3,5,10,20 or Specify			
Operating Temperature		°C	-5~70			
Storage Temperature		°C	-40~85			
Fiber Type		-	PM Fiber			
Package Dimensions	Power Handling 5W	mm	∅3.0×56			
	Power Handling 20W	mm	75×12×8			

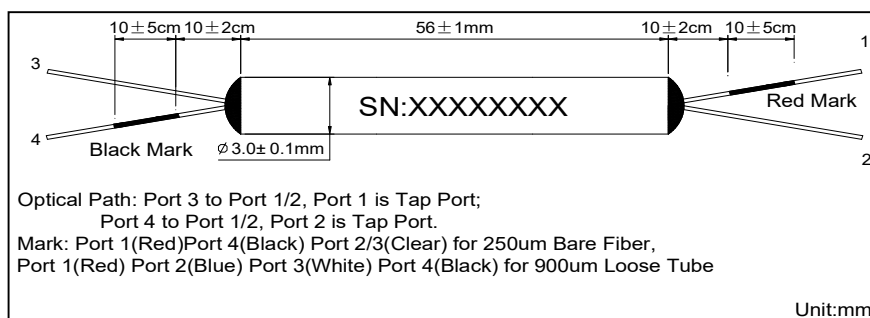
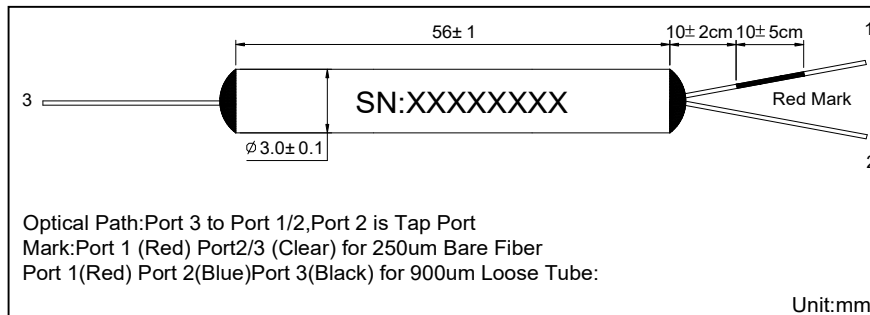
*Above specifications are for device without connector.

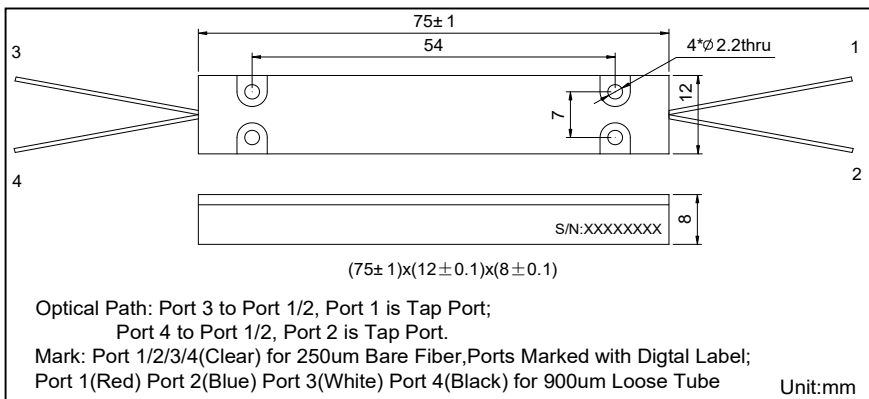
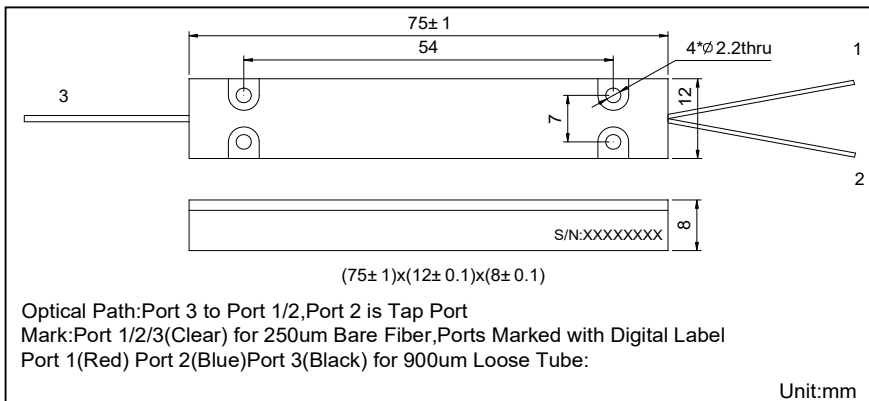
*For devices with connectors, IL will be 0.3dB (1310~2000) or 0.5dB (980~1064) higher, ER will be 2dB lower, RL will be 5dB lower and optical power is only 1W.

*The PM fiber and the connector key are aligned to the slow axis.

* The material must be RoHS compliant.

Package Dimensions





Ordering Information

HPMSMC-①①-②-③③-④④-⑤⑤⑤⑤-⑥⑥⑥⑥-⑦-⑧⑧-⑨⑨

①①: Wavelength
 98 - 980nm
 03 - 1030nm
 06 - 1064nm
 31 - 1310nm
 55 - 1550nm
 19 - 1940nm
 20 - 2000nm
 SS - Specify

③③: Coupling Ratio
 01 - 1/99
 02 - 2/98
 05 - 5/95
 10 - 10/90
 20 - 20/80
 30 - 30/70
 40 - 40/60
 50 - 50/50
 SS - Specify

⑤⑤⑤⑤: Connector Type
 1B - FC/UPC
 2B - FC/APC
 3B - SC/UPC
 4B - SC/APC
 N - None
 S - Specify

⑥⑥⑥⑥: Fiber Jacket
 B - 250um Bare Fiber

⑧⑧: Fiber Type
 01 - PM 980 Fiber
 02 - PM 980 Fiber(长飞)
 03 - Nufern PM980-XP fiber
 04 - PM1550 Fiber
 05 - PM 1550 Fiber(长飞)
 06 - Nufern PM1550-XP Fiber
 30 - PM1950 Fiber

②: Port
 1 - 1X2
 2 - 2X2

④④: Handling Power
 01 - 1W
 03 - 3W
 05 - 5W
 10 - 10W
 20 - 20W
 SS - Specify

⑦: Fiber Length
 1 - 1.0m
 S - Specify

⑨⑨: Package Size
 16 - Ø3.0×56
 27 - 75×12×8
 S - Specify