

**Optizone PM Single Mode Standard Coupler**

**Product Features**

- Low Excess Loss
- High Extinction Ratio
- High Stability and Reliability

**Product Applications**

- Optical Amplifier
- Power Monitoring
- Coherent Communication
- Fiber Gyroscope

**Specifications**

Parameters	Unit	Premium	A grade	Premium	A grade	
Center Wavelength	nm	980,1030,1064 or Specify		1310,1480,1550,1940,2000 or Specify		
Operating W.L.	nm	±20		±20		
Max. Splitting Ratio Tolerance (CR)	50/50	%	±5.0	±6.0	±5.0	±6.0
	40/60	%	±4.0	±4.8	±4.0	±4.8
	30/70	%	±3.0	±3.7	±3.0	±3.7
	20/80	%	±2.5	±3.0	±2.5	±3.0
	10/90	%	±2.2	±2.4	±2.2	±2.4
	5/95	%	±1.5	±1.7	±1.5	±1.7
	3/97	%	±1.1	±1.3	±1.1	±1.3
	2/98	%	±0.8	±1.0	±0.8	±1.0
Min. Polarization Extinction Ratio	CR > 10%	dB	18	15	20	17
	10% ≥ CR > 1%	dB	14	11	16	13
	CR ≤ 1%	dB	NA	NA	NA	NA
Max. Excess Loss	dB	0.8	1.0	0.4	0.6	
Min. Return loss	dB	50				
Max. Power Handling	mW	500				
Operating Temperature	℃	-5~70				
Storage Temperature	℃	-40~85				
Fiber Type	-	PM Fiber				
Package Dimensions	250um Bare Fiber	mm	Ø3.0x50 or Ø3.0x40			
	900um Loose Tube	mm	Ø3.0x56			

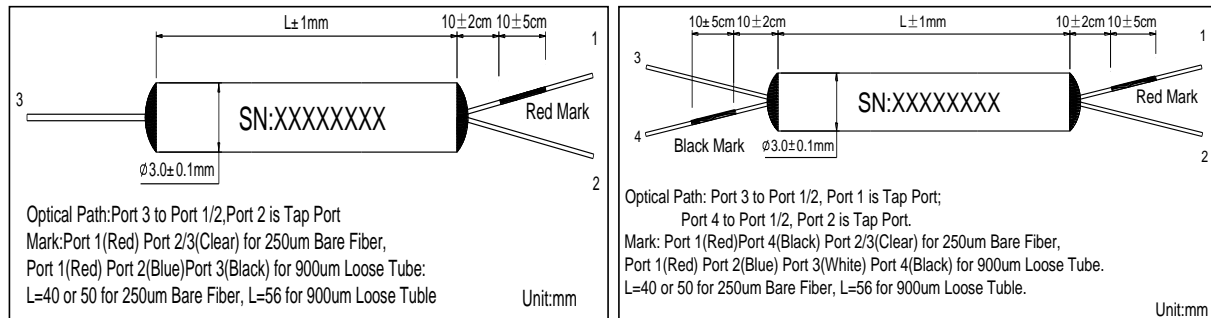
\*Above specifications are for device without connector.

\*For devices with connectors, IL will be 0.3dB (1310-2000) or 0.5dB (980-1064) higher, ER will be 2dB lower and RL will be 5dB lower.

\*The PM fiber and the connector key are aligned to the slow axis.

\* The material must be RoHS compliant.

**Package Dimensions**



**Ordering Information**

**PMSMC-①①-②③③-④④④④-⑤⑤⑤⑤-⑥-⑦⑦-⑧⑧**

- ①①: Wavelength  
 98 - 980nm  
 03 - 1030nm  
 06 - 1064nm  
 31 - 1310nm  
 55 - 1550nm  
 19 - 1940nm  
 20 - 2000nm  
 SS - Specify
- ②: Port  
 1 - 1X2  
 2 - 2X2
- ③③: Coupling Ratio  
 01 - 1/99  
 02 - 2/98  
 05 - 5/95  
 10 - 10/90  
 20 - 20/80  
 30 - 30/70  
 40 - 40/60  
 50 - 50/50  
 SS - Specify
- ④④④④: Connector Type  
 1B - FC/UPC  
 2B - FC/APC  
 3B - SC/UPC  
 4B - SC/APC  
 N - None  
 S - Specify
- ⑤⑤⑤⑤: Fiber Jacket  
 B - 250um Bare Fiber  
 C - 900um Loose Tube (Red)  
 D - 900um Loose Tube (Blue)  
 E - 900um Loose Tube (Black)  
 F - 900um Loose Tube (White)
- ⑥: Fiber Length  
 1 - 1.0m  
 S - Specify
- ⑦⑦: Fiber Type  
 01 - PM 980 Fiber  
 02 - PM 980 Fiber (长飞)  
 03 - Nufern PM980-XP fiber  
 04 - PM1550 Fiber  
 05 - PM 1550 Fiber (长飞)  
 06 - Nufern PM1550-XP Fiber  
 30 - PM1950 Fiber
- ⑧⑧: Package Size  
 12 - Ø3.0x50  
 14 - Ø3.0x40  
 16 - Ø3.0x56

