

Features

Low Excess Loss
 Low WDL
 Low Uniformity

Applications

PM Sensors
 Amplifiers
 Lasers

Specifications

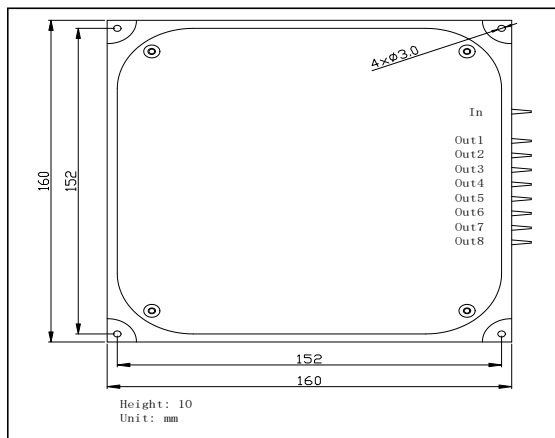
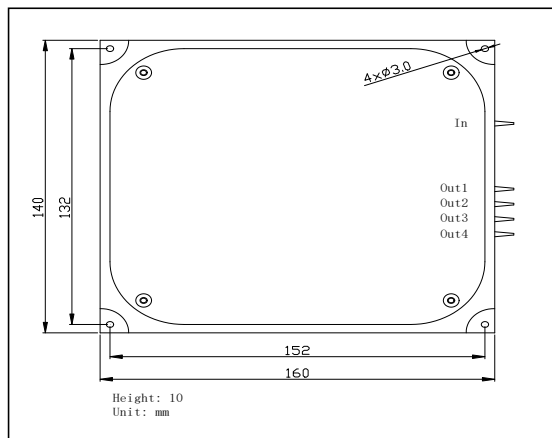
Parameters	Unit	1x4	1x8
Center Wavelength	nm	1310 or 1550	
Operating Wavelength Range	nm	±30	
Insertion Loss	dB	≤7.5, Typ. 7.0	≤11.0, Typ. 10.5
Wavelength Dependent Loss	dB	≤0.5, Typ. 0.3	≤0.5, Typ. 0.3
Ports IL Uniformity	dB	≤0.8	≤1.0
Return Loss	dB	≥50	≥50
Directivity	dB	≥50	≥45
Extinction Ratio(only for B Type)	dB	≥20	≥17
Extinction Ratio(only for F Type)	dB	≥23	≥23
Temperature Dependent Loss	dB/°C	≤0.006	≤0.008
Fiber Type		PM Panda Fiber	
Operating Temperature	°C	-5 to+70	
Storage Temperature	°C	-40 to +85	
Package Dimensions	mm	160*140*10, or Specify	160*160*10, or Specify

*Above specifications are for module without connector.

*For modules with connectors, IL will be 0.3dB higher, RL will be 5dB lower and ER will be 2dB lower.

*The PM fiber and the connector key are aligned to the slow axis.

Package Dimensions



Ordering Information

PMFCM-①①-②②②②-③③③-④-⑤-⑥-⑦-⑧-⑨⑨

①①: Center Wavelength

31 - 1310nm
 55 - 1550nm
 SS - Specify

④: Working Axis

F - Fast Axis Blocked
 B - Both Axis Working

⑥: Fiber Type

B - Bare Fiber
 C - 900um Losse tube (Red)
 D - 900um Losse tube (Blue)
 R - 3mm Cable (Blue)
 S - Specify

⑧: Fiber Type

2A - PM1550 Fiber
 3A - PM1310 Fiber
 S - Specify

②②②②: Potrs Configuration

0104 - 1x4
 0108 - 1x8

⑤: Connector Type

1A - FC/UPC
 2A - FC/APC
 3D - SC/UPC
 4D - SC/APC

⑦: Fiber Length

0.5 - 0.5m
 S - Specify

⑨⑨: Package Dimensions

67 - 160x140x10mm
 68 - 160x160x10mm
 S - Specify

③③: Splitting Ratio

BA - Balance
 SS - Specify

N - None
 S - Specify