

**Features**

Low Excess Loss  
 Low WDL  
 Low Uniformity

**Applications**

PM Sensors  
 Amplifiers  
 Lasers

**Specifications**

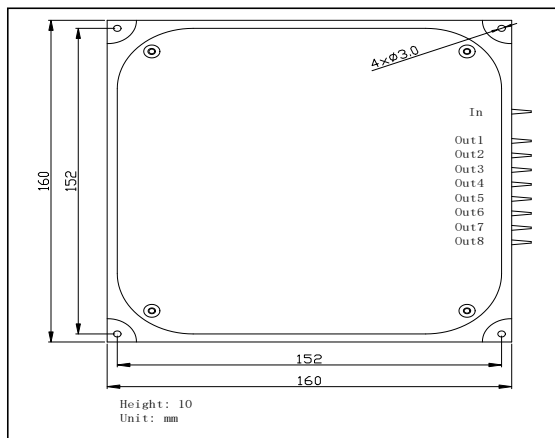
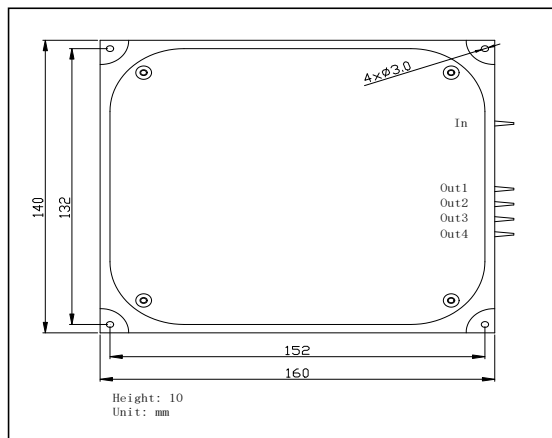
Parameters	Unit	1x4	1x8
Center Wavelength	nm	1030, 1064	
Operating Wavelength Range	nm	±20	
Insertion Loss	dB	≤8, Typ. 7.5	≤11.5, Typ. 11
Wavelength Dependent Loss	dB	≤0.5, Typ. 0.3	≤0.5, Typ. 0.3
Ports IL Uniformity	dB	≤0.8	≤1.0
Return Loss	dB	≥50	≥50
Directivity	dB	≥50	≥45
Extinction Ratio(only for B Type)	dB	≥20	≥17
Extinction Ratio(only for F Type)	dB	≥23	≥23
Temperature Dependent Loss	dB/°C	≤0.006	≤0.008
Fiber Type		PM Panda Fiber	
Operating Temperature	°C	-5 to+70	
Storage Temperature	°C	-40 to +85	
Package Dimensions	mm	160*140*10, or Specify	160*160*10, or Specify

\*Above specifications are for module without connector.

\*For modules with connectors, IL will be 0.5dB higher, RL will be 5dB lower and ER will be 2dB lower.

\*The PM fiber and the connector key are aligned to the slow axis.

**Package Dimensions**



**Ordering Information**

**PMFCM-①①-②②②②-③③③-④-⑤-⑥-⑦-⑧-⑨⑨**

①①: Center Wavelength

03 - 1030nm  
 06 - 1064nm  
 SS - Specify

②②②②: Potsrs Configuration

0104 - 1x4  
 0108 - 1x8

③③: Splitting Ratio

BA - Balance  
 SS - Specify

④: Working Axis

F - Fast Axis Blocked  
 B - Both Axis Working

⑤: Connector Type

1A - FC/UPC  
 2A - FC/APC  
 3D - SC/UPC  
 4D - SC/APC

N - None

S - Specify

⑥: Fiber Type

B - Bare Fiber  
 C - 900um Losse tube (Red)  
 D - 900um Losse tube (Blue)  
 R - 3mm Cable (Blue)  
 S - Specify

⑦: Fiber Length

0.5 - 0.5m  
 S - Specify

⑧: Fiber Type

4A - PM980 Fiber  
 S - Specify

⑨⑨: Package Dimensions

67 - 160x140x10mm  
 68 - 160x160x10mm  
 S - Specify