
Optizone 1064nm Polarization Beam Combiner/Splitter
Features

High Extinction Ratio
 Low Insertion Loss
 High Return Loss

Applications

Fiber Lasers
 Raman Amplifier
 Sensors

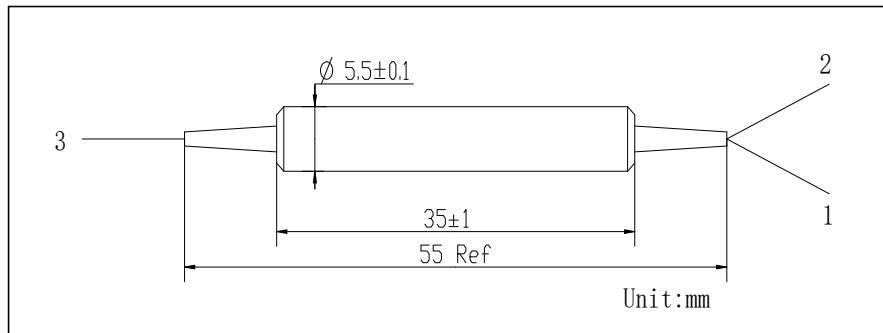
Specifications

| Parameter | Unit | Values | |
|---|------|------------------------------------|---------|
| Grade | - | Grade P | Grade A |
| Center Wavelength | nm | 1064 | |
| Operating Wavelength Range | nm | ±20 | |
| Typ. Insertion Loss | dB | 0.6 | 0.7 |
| Max. Insertion Loss | dB | 0.8 | 0.9 |
| Min. Return Loss | dB | 50 | |
| Min. Extinction Ratio (for Splitter only) | dB | 22 | 20 |
| Min.PDL 23°C (only for HI1060 Fiber on all ports) | dB | 20 | |
| Min. Directivity | dB | 50 | |
| Max. Optical Power (CW) | mW | 300 | |
| Max. Tensile Load | N | 5 | |
| Fiber Type | - | PM 980 Panda Fiber on Port 1 and 2 | |
| Operating Temperature | °C | -5 to + 70 | |
| Storage Temperature | °C | -40 to +85 | |

*Above specifications are for device without connector.

*For devices with connectors, IL will be 0.5dB higher, RL will be 5dB lower and ER will be 2dB lower.

*The PM fiber and the connector key are aligned to the slow axis.

Package Dimensions**Ordering Information**

PBC-①①①①-②-③-④④④-⑤⑤⑤-⑥-⑦-⑧-⑨

PBS-①①①①-②-③-④④④-⑤⑤⑤-⑥-⑦-⑧-⑨

①①①①: Wavelength

1064 - 1064nm

S - Specify

②: Grade

P - Premium

A - A Grade

③: Port

1 - 1x2

④④④: Connector Type on Port 1, 2 & 3

1A - FC/UPC

2A - FC/APC

3D - SC/UPC

4D - SC/APC

N - None

S - Specify

⑤⑤⑤: Fiber Jacket on Port 1, 2 & 3

B - Bare Fiber

C - 900um Red Loose Tube

F - 900um White Loose Tube

S - Specify

⑥: Fiber Type

03A - Port 1, 2&3: PM980

11A - Port 1&2: PM980, Port 3: HI 1060 Fiber

S - Specify

⑦: Axis Alignment on Port 3

1 - HI 1060 Fiber

2 - PM Panda Fiber, Slow Axis align 45° to Port 1

3 - PM Panda Fiber, Slow Axis align to Port 1

4 - All ports are HI1060

S - Specify

⑧: Fiber Length

0.8 - 0.8m

S - Specify

⑨: Package Type

01 - Ø5.5×35