

Features

High Isolation
 Low Insertion Loss
 Large Aperture Features

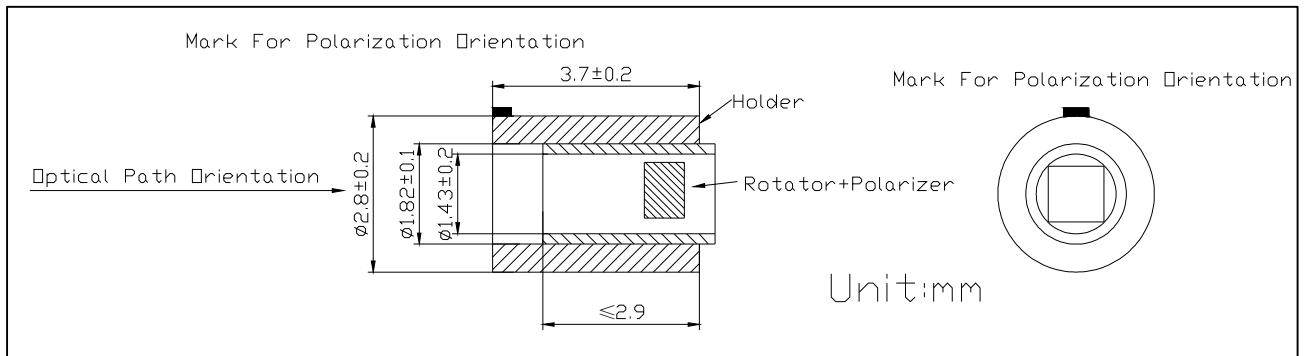
Applications

Fiber Optic Lasers
 Optical Transmitters & Transceivers
 Research

Specifications

Parameter	Unit	Values	
		Single Stage	Dual Stage
Stage	-	Single Stage	Dual Stage
Center Wavelength (λ_c)	nm	1064	
Operating Wavelength Range	nm	± 5	
Typ. Peak Isolation	dB	40	55
Min. Isolation at 23°C, λ_c	dB	35	45
Typ. Insertion Loss at 23°C, Proper SOP	dB	1.0	2.0
Max. Insertion Loss at 23°C, Proper SOP	dB	1.2	2.2
Min. Extinction Ratio	dB	25	
Min. PDL	dB	25	
Clear Aperture	mm	0.9	
Polarization Plane of Input	-	Refer to Drawing Below	
Tilt Angle of Input Polarization	deg	0	
Max. Optical Power (CW), Proper SOP	mW	300 @BD500um (Proper Alignment Is Necessary)	
Operating Temperature	°C	- 5 to +50	
Storage Temperature	°C	-40 to +85	

Package Dimensions



Ordering Information

FSI-①①-②-③

①①: Wavelength
 06 - 1064nm
 SS - Specify

③: Optical Path Orientation
 F - Forward (as indicated above)
 B - Backward

②: Stage
 S - Single Stage
 D - Dual Stage

④: Package Size
 1 - dia2.8×L3.7mm
 S - Specify