



Fiber Optical Cable - Type D1 (Indirect water cooling)

Features

- High Handling Power
- Water Cooling System & Compatible Design
- Cladding Mode Stripper Integrated
- Interlock System Integrated
- Excellent Environmental Stability and Reliability

Applications

- Fiber Lasers
- Research & Design
- Laser Cutting
- Laser Cleaning
- Laser Welding

Specifications

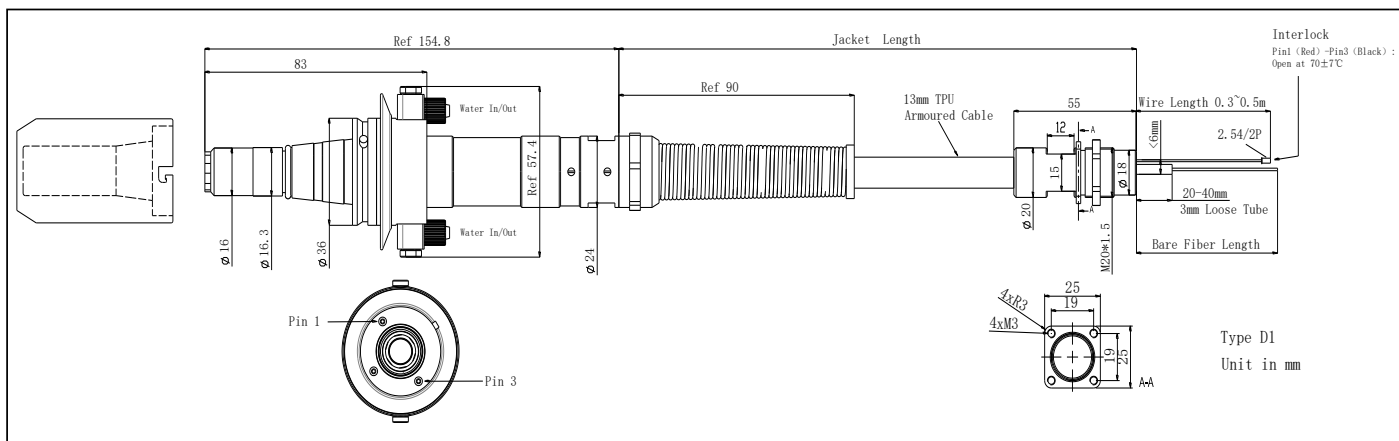
Parameters	Unit	Values
Operating Wavelength	nm	1050~1110 (Nominal Center Wavelength 1080 nm)
Typ. Transmission Ratio (Inner Core)	-	99%
Min. Transmission Ratio (Inner Core)	-	98%
Max. Handling Power (CW)	W	6000,8000,10000,12000,20000 or Specify
Pulse Power	-	Max. 10KW @10ms Max. 50KW @1ms Max. 1MW @50ns
Loss Power Handling Capability	-	1KW for 10 min 500W Continuously
Nominal Beam Pointing Accuracy	deg	1
Min. Beam Ellipticity	-	0.92
Max. Fiber Tensile Load	N	5
Package Material	-	Stainless Steel / Aluminum / Copper
Operating Temperature	°C	+10 to +50
Storage Temperature	°C	-30 to +75
Max. Water Pressure	Bar	8
Flow of Water	L/min	1.5-3
Fiber Length ≤15 m	-	The Fiber Length Tolerance is -10cm
15m < Fiber Length ≤30m	-	The Fiber Length Tolerance is -20cm
Jacket Length ≤15m	-	The Jacket Length Tolerance is +0.2/-0.1m
15m < Jacket Length ≤30m	-	The Jacket Length Tolerance is +0.4/-0.2m

*The actual dimensions may be different from above drawing due to different requirements, please see shipment data sheet.

*For FOC without window, the transmission @635nm is around 80%(Inner Core).

*The material must be RoHS compliant.

Package Dimensions



Ordering Information**FOC-①①-②②-③-④④-⑤⑤-⑥⑥-⑦-⑧⑧-⑨⑨****①①: Wavelength**

08 - 1080nm

SS - Specify

②②: Connector Type

QD - QD Compatible

③: Handling Power

6000 - 6000W

8000 - 8000W

10000 - 10000W

12000 - 12000W

20000 - 20000W

S - Specify

④④: Fiber Type

03 - Nufern BD-S100/120/360-STN NA0.22

04 - Nufern BD-S200/230/660-STN NA0.22

05 - Nufern BD-S200/220/360-STN NA0.22

63 - Nufern BD-S150/180/660-STN NA0.22

95 - Passive-200/235/360 DC NA0.23

SS - Specify

⑤⑤: Jacket Length

15 - 15m 13mm TPU Armoured Cable

SS - Specify

⑥⑥: Bare Fiber Length With Loose Tube

1.5 - 1.5m

02 - 2m

SS - Specify

⑦: Package Type

D1 - Type D1

⑧⑧: Protection Cap Type

01 - Aluminum Without Window

SS - Specify

⑨⑨: Water Pipe Length

05 - 5x2m

NN - None

SS - Specify