



## Fiber Optical Cable (Indirect water cooling)

### Features

- High Handling Power
- Water Cooling System & Compatible Design
- Cladding Mode Stripper Integrated
- Interlock System Integrated
- Excellent Environmental Stability and Reliability

### Applications

- Fiber Lasers
- Research & Design
- Laser Cutting
- Laser Cleaning
- Laser Welding

### Specifications

Parameters	Unit	Values
Operating Wavelength	nm	900~1000 (Nominal Center Wavelength 950nm) 1050~1110 (Nominal Center Wavelength 1080 nm)
Typ. Transmission Ratio	-	99%
Min. Transmission Ratio	-	98%
Max. Handling Power (CW)	W	1000, 2000, 4000 ,6000,8000,12000 or Specify
Pulse Power	-	Max. 10KW @10ms Max. 50KW @1ms Max. 1MW @50ns
Loss Power Handling Capability	-	1KW for 10 min 500W Continuously
Nominal Beam Pointing Accuracy	deg	1
Min. Beam Ellipticity	-	0.92
Max. Fiber Tensile Load	N	5
Package Material	-	Stainless Steel / Aluminum / Copper
Operating Temperature	°C	+10 to +50
Storage Temperature	°C	-10 to +75
Max. Water Pressure	Bar	8
Flow of Water	L/min	1.5-3
Fiber Length ≤ 15 m	-	The Fiber Length Tolerance is -10cm
15m < Fiber Length ≤ 30m	-	The Fiber Length Tolerance is -20cm
Jacket Length ≤ 15m	-	The Jacket Length Tolerance is +0.2/-0.1m
15m < Jacket Length ≤ 30m	-	The Jacket Length Tolerance is +0.4/-0.2m

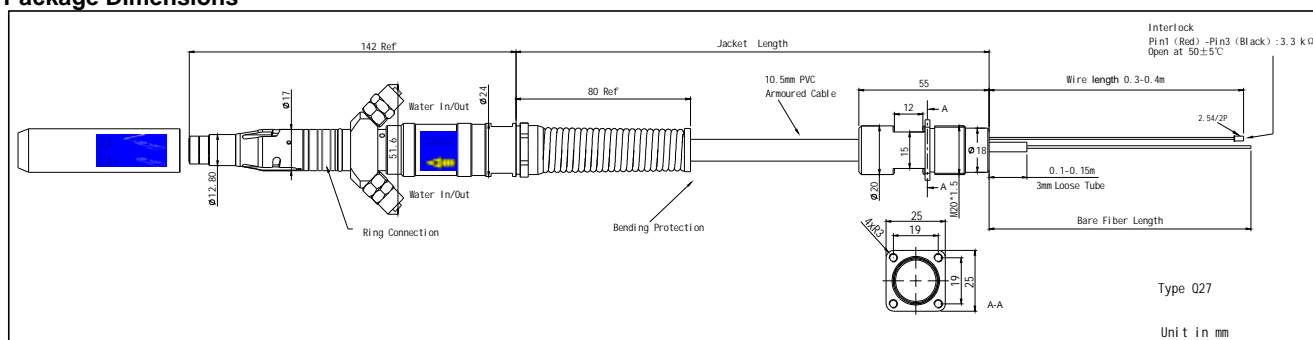
\*The actual dimensions may be different from above drawing due to different requirements, please see shipment data sheet.

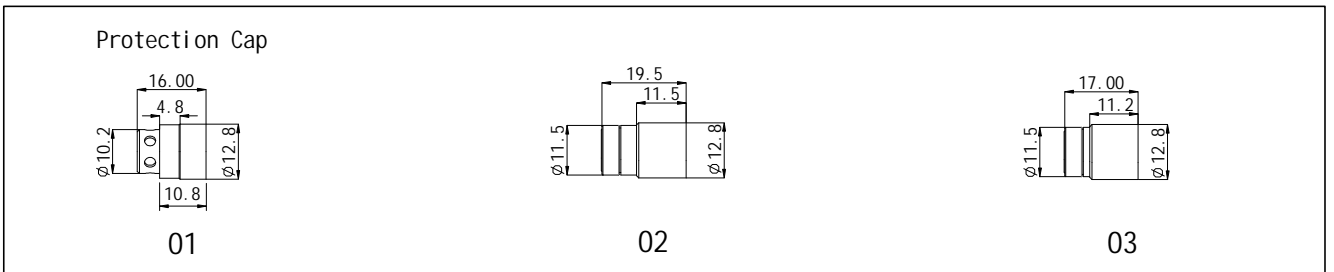
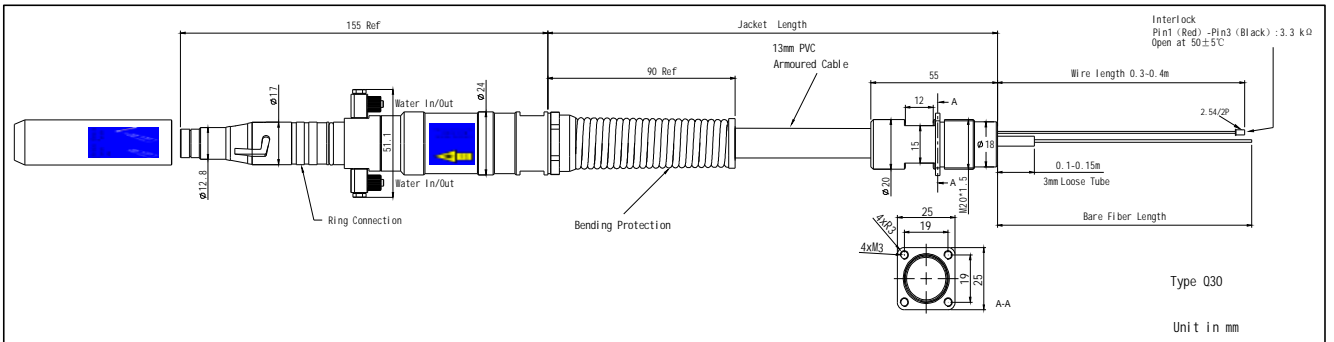
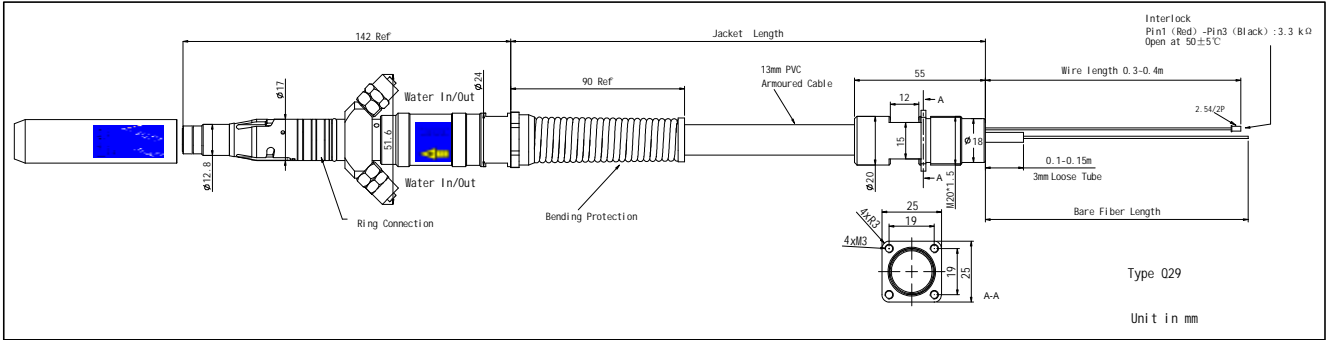
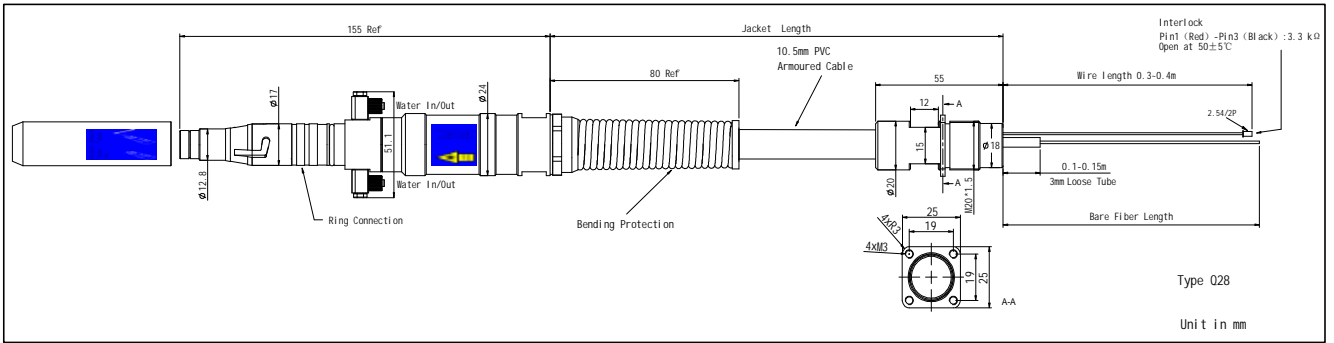
\*For FOC without window, the transmission @635nm is around 80%.

\*If the power is up to or more than 2KW, we suggest using some protective hat without window.

\*The material must be RoHS compliant.

### Package Dimensions





**Ordering Information**

**FOC-①①-②②-③③-④④-⑤⑤-⑥⑥-⑦⑦-⑧⑧-⑨⑨**

①①: Wavelength

- 91 - 915nm
- 95 - 950nm
- 06 - 1064nm
- 08 - 1080nm
- SS - Specify

④④: Fiber Type

- 01 - Nufern GDF-20/400-M NA0.065
- 03 - Nufern BD-S100/120/360-STN NA0.22
- 08 - Nufern LMA-GDF 25/400-M NA0.065
- 10 - Nufern BD-S50/70/360-STN NA0.22
- 11 - Coractive DCF-UN 50/400 NA0.12
- 20 - Nufern LMA-GDF- 30/250-M NA0.06
- SS - Specify

⑥⑥: Bare Fiber Length With Loose Tube

- 01 - 1 m
- 1.5 - 1.5 m
- 02 - 2 m
- SS - Specify

②②: Connector Type

- QB - QBH Compatible

⑦⑦: Package Type

- Q27 - Type Q27
- Q28 - Type Q28
- Q29 - Type Q29
- Q30 - Type Q30

③③: Handling Power

- 1000 - 1000W
- 2000 - 2000W
- 4000 - 4000W
- 6000 - 6000W
- 8000 - 8000W
- 12000 - 12000W
- S - Specify

⑤⑤: Jacket Length

- 08 - 8m
- 10 - 10m
- 15 - 15m
- 18 - 18m
- 20 - 20m
- 25 - 25m
- 30 - 30m
- SS - Specify

⑧⑧: Protection Cap Type

- 01 - Aluminum Without Window
- 02 - Aluminum With Window For SM Fiber
- 03 - Aluminum With Window For MM Fiber
- SS - Specify

⑨⑨: Water Pipe Length

- 05 - 5×2m
- NN - None
- SS - Specify