



# 980nm High Power Free Space Isolator Sensitive C149

## Features

Low Insertion Loss, High Isolation  
High Power Handling, Large Clear Aperture  
Broad band

## Applications

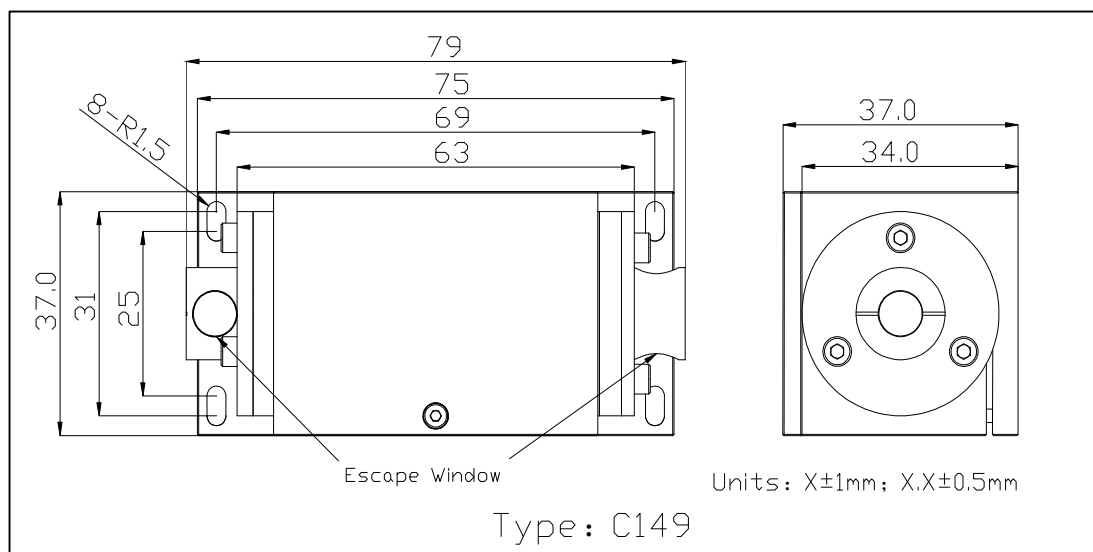
Fiber Laser, Solid Laser  
Fiber Amplifier, Space Laser Protection  
Fiber optic isolator, Lab Research

## Specifications

| Parameters                           | Unit | Values                     |
|--------------------------------------|------|----------------------------|
| Center Wavelength ( $\lambda_c$ )    | nm   | 915, 980 or Specify        |
| Operating Wavelength Range           | nm   | $\pm 5$                    |
| Typ. Peak Isolation                  | dB   | 30~35                      |
| Min. Isolation at 23°C               | dB   | 28                         |
| Typ. Insertion Loss                  | dB   | 0.3                        |
| Max. Insertion Loss                  | dB   | 0.4                        |
| Min. Extinction Ratio                | dB   | 25                         |
| Max. Aperture                        | mm   | 5.0 or Specify             |
| Max. Average Power                   | W    | 20, 50 or Specify          |
| Max. Damage Threshold                | -    | 10J/cm <sup>2</sup> @ 10ns |
| Operating Temperature                | °C   | 10 to 50                   |
| Storage Temperature (Non-Condensing) | °C   | 0 to 60                    |

\*Input polarization plane - vertical

## Package Dimensions



## Ordering Information

HPFSI-①①-②②-③③-④④-⑤⑤

①①: Wavelength

91 - 915nm

98 - 980nm

SS - Specify

③③: Handling Power

20 - 20W

50 - 50W

SS - Specify

⑤⑤: Polarization type

S - Polarization Sensitive

②②: Package Type

C149- Type C149

④④: Clear Aperture

50 - Dia. 5.0mm

SS - Specify