

Optizone High Power Isolator WDM Hybrid 1530~1565nm

Features

- Pump / Signal Multiplexing
- Low Insertion Loss
- Low Cost
- High Reliability
- High Power Handling Capability

Applications

- EDFAs
- Fiber Lasers
- Fiber Optical Test Equipment
- R & D

Specifications

Parameters	Unit	Values	
		Single Stage	Dual Stage
Stage		Single Stage	Dual Stage
Pass Band	Signal Wavelength Range	1530~1565	
	Max. Insertion Loss	0.9	1.0
	Typ. Insertion Loss	0.7	0.8
	Typ. Peak Signal Isolation	40	55
	Min. Signal Isolation at 23C	28	45
	Max. PDL	0.1	0.15
	Max. PMD	ps	0.25
Reflect Band	Wavelength Range	960~990 or 1460-1490	
	Max. Insertion Loss@R→C	0.7 (for 1480nm pump); 0.8 (for 980nm pump)	
	Typ. Insertion Loss@R→C	0.5 (for 1480nm pump); 0.6 (for 980nm pump)	
	Max. PDL	0.1	
Min. Return Loss	dB	50	
Max. Optical Power (CW)	W	1, 3, 5 or Specify	
Max. Peak Power for ns Pulse	kW	10	
Max. Tensile Load	N	5	
Fiber Type		SMF-28e fiber on Common & Pass ports, HI 1060(for 980nm Pump) or SMF-28e fiber(for 1480nm Pump) on Reflect port.	
Operating Temperature	°C	-5 to +70	
Storage Temperature	°C	-40 to +85	

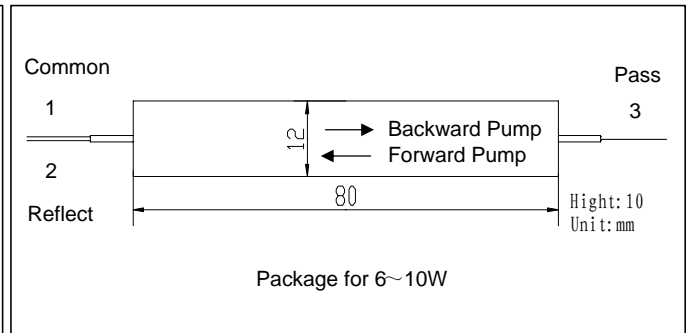
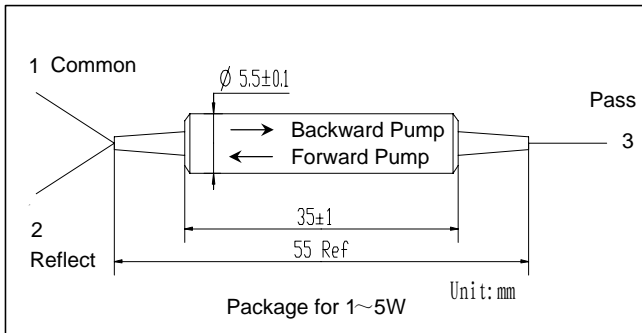
*PMD<0.1ps is available. Please refer to below ordering information.

*Above specification are for device without connector.

*For devices with connectors, IL will be 0.3dB higher, RL will be 5dB lower, optical power is only 1000mW(CW).

*For pulse application please discuss with Optizone.

Package Dimensions



Ordering Information

HPIWDM-①①①①-②-③-④-⑤⑤-⑥⑥⑥-⑦⑦⑦-⑧

①①①①: Signal & Pump Wavelength
 5598 - 1550nm signal/980nm pump
 5548 - 1550nm Signal/1480nm pump

②: Pump Type
 F - Forward Pump
 B - Backward Pump

③: Stage
 S - Single Stage
 D - Dual Stage

④: PMD
 1 - 0.1ps max.
 2 - Refer to above Spec.

⑤⑤: Handling Power
 01 - 1W
 03 - 3W
 05 - 5W
 SS - Specify

⑥⑥⑥: Connector Type
 1 - FC/UPC
 2 - FC/APC
 3 - SC/UPC
 4 - SC/APC
 S - Specify
 N - None

⑦⑦⑦: Fiber Jacket
 B - 250um Bare Fiber
 L - 900um Loose Tube
 S - Specify

⑧: Fiber Length
 0.8 - 0.8m
 S - Specify