

Features

- All Fiber Construction
- High Reliability
- Outstanding Optical Performance
- Cost Effective
- High Power Handling Capability

Applications

- Fiber Optical Test Equipment
- Fiber Sensor
- Fiber Lasers
- Optical Fiber Amplifier
- R&D
- Radar

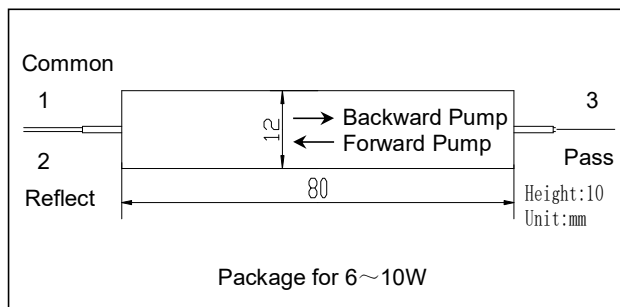
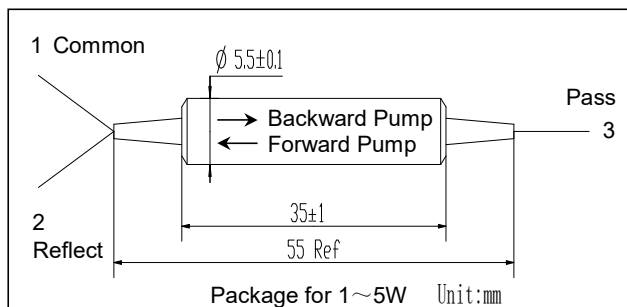
Specifications

Parameters		Unit	Values	
Stage			Single Stage	Dual Stage
Pass Band	Wavelength Range	nm	1950~2050	
	Max. Insertion Loss@P→C or C→P	dB	1.1	1.3
	Typ. Insertion Loss@P→C or C→P	dB	0.8	1.0
	Min. Isolation, port 1 to port 3 (Forward Pump) or port 3 to port 1 (Backward Pump), @1950~2050nm, 23°C	dB	18	32
	Typ. Reflection Isolation(@1550~1590nm, 23°C)	dB	30	
	Min. Reflection Isolation(@1550~1590nm, 23°C)	dB	25	
Reflection Band	Wavelength Range	nm	1550~1590	
	Typ. Insertion Loss@C→R	dB	0.6	
	Max. Insertion Loss@C→R	dB	0.8	
	Typ. Pass Isolation(@1950~2050nm, 23°C)	dB	15	
	Min. Pass Isolation(@1950~2050nm, 23°C)	dB	12	
Max. PDL	dB	0.15	0.20	
Min. Return Loss	dB	50		
Max. Optical Power (CW)	W	1, 3, 5 or Specify		
Max. Tensile Load	N	5		
Fiber Type		SMF-28e Fiber, SM 1950 or Specify		
Operating Temperature	°C	-5 to +70		
Storage Temperature	°C	-40 to +85		

*Above specifications are for device without connector.

*For devices with connectors, IL will be 0.3dB higher, RL will be 5dB lower, optical power is only 1W.

Package Dimensions



Ordering Information

HPIWDM-①①①①-②-③-④④-⑤⑤⑤⑤-⑥⑥⑥⑥-⑦-⑧⑧-⑨⑨

①①①①: Wavelength
2057 - 2000nm Pass/1570nm Reflect
SSSS - Specify

④④: Handling Power
01 - 1W
SS - Specify

⑦: Fiber Length
1 - 1.0m
S - Specify

②: Pump Type
F - Forward Pump
B - Backward Pump

⑤⑤⑤: Connector Type on Port 1, 2 & 3
1A - FC/UPC
2A - FC/APC(Step)
N - None
S - Specify

⑧⑧: Fiber Type
01 - SMF-28e Fiber (all ports)
11 - SMF-28e Fiber at Common & Reflect ports and SM 1950 Fiber at Pass port
S - Specify

③: Stage
S - Single Stage
D - Dual Stage

⑥⑥⑥: Fiber Jacket on Port 1, 2 & 3
B - 250um Fiber
F - 900um Loose Tube(White)
S - Specify

⑨⑨: Package Dimensions
01 - Ø5.5x35