

**Features**

Low Insertion Loss  
 High Return Loss  
 High Power Handling Capability

**Applications**

Fiber Optic Instruments  
 Fiber Amplifiers  
 Fiber Lasers  
 Fiber Sensors

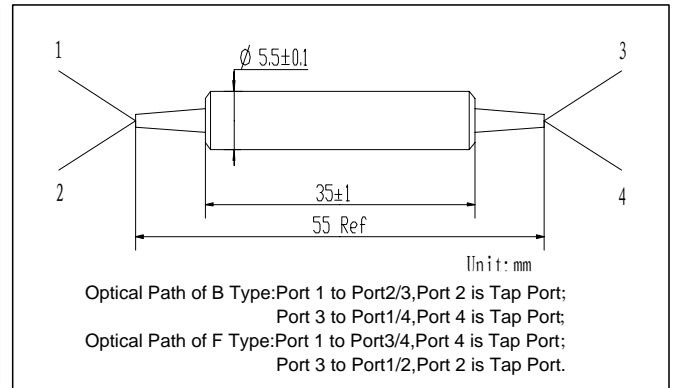
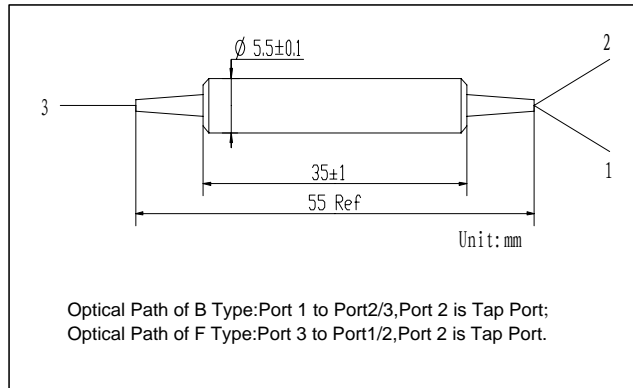
**Specifications**

| Parameters                              | Unit | Values                                 |     |
|---|------|--|-----|
|   |      | 1X2                                    | 2X2 |
| Port Type                               |      | 1X2                                    | 2X2 |
| Center Wavelength                       | nm   | 1310 or 1550                           |     |
| Operating Wavelength Range              | nm   | ±40                                    |     |
| Max. Excess Loss                        | dB   | 0.9                                    | 1.2 |
| Max. Uniformity (only for 50/50)        | dB   | 0.6                                    | 0.8 |
| Tap Ratio (Port 2/4)                    | %    | 1±0.2, 2±0.4, 5±1.0, 10 & 50           |     |
| Min. Return Loss                        | dB   | 50                                     |     |
| Min. Extinction Ratio (only for F type) | dB   | 22                                     | 22  |
| Min. Extinction Ratio (only for B type) | dB   | 20                                     | 18  |
| Max. Optical Power (CW)                 | W    | 1, 2, 3 or Specify (only for Splitter) |     |
| Max. Peak Power for ns Pulse            | kW   | 10                                     |     |
| Max. Tensile Load                       | N    | 5                                      |     |
| Fiber Type                              |      | SMF-28e or PM Panda Fiber on Tap Port  |     |
|   |      | PM Panda Fiber on Port 1 & Port 3      |     |
| Operating Temperature                   | °C   | -5 to +70                              |     |
| Storage Temperature                     | °C   | -40 to +85                             |     |

\* Above specifications are for devices without the connectors.

\* For devices with connectors, IL will be 0.3dB higher, RL will be 5dB lower, ER will be 2dB lower and optical power is only 1000mW(CW).

\*The PM fiber and the connector key are aligned to the slow axis. And for F type, fast axis is blocked.

**Package Dimensions**

**Ordering Information**

**HPMFC-①①-②-③③-④-⑤⑤-⑥⑥⑥⑥-⑦⑦⑦⑦-⑧-⑨**

①①: Wavelength  
 31 - 1310nm  
 55 - 1550nm  
 SS - Specify

②: Port  
 1 - 1x2  
 2 - 2x2

③③: Coupling Ratio  
 01 - 1/99  
 02 - 2/98  
 04 - 4/96  
 05 - 5/95  
 10 - 10/90  
 20 - 20/80  
 50 - 50/50  
 SS - Specify

④: Axis Alignment  
 F - Fast Axis Blocked  
 B - Both Axis Working

⑤⑤: Handling Power  
 01 - 1W  
 SS - Specify

⑥⑥⑥⑥: Connector Type on Port 1, 2, 3 & 4  
 1 - FC/UPC  
 2 - FC/APC  
 3 - SC/UPC  
 4 - SC/APC  
 N - None  
 S - Specify

⑦⑦⑦⑦: Fiber Jacket on Port 1, 2, 3 & 4  
 B - 250um Fiber  
 L - 900um Loose Tube  
 S - Specify

⑧: Fiber Type on Tap port  
 M - SMF-28e Fiber (For 1x2 only)  
 P - PM Panda Fiber  
 S - Specify

⑨: Fiber Length  
 0.8 - 0.8m  
 S - Specify