

Optizone High Power 1064nm Polarization Maintaining Filter Coupler

Features

- High Extinction Ratio
- High Return Loss
- Low Cost
- High Power Handling Capability

Applications

- Telecommunications
- Optical Amplifier
- Fiber Lasers
- Testing Systems

Specifications

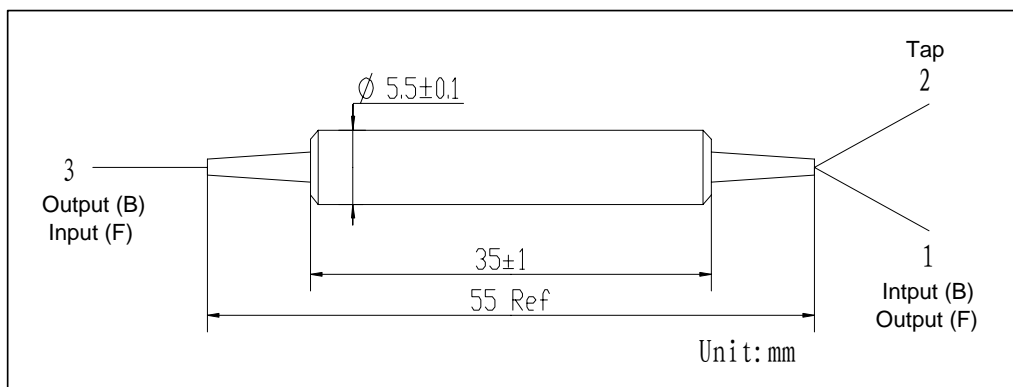
Parameter	Unit	Values
Center Wavelength	nm	1064
Operating Wavelength Range	nm	± 20
Coupling Ratio (for Port 2 only)	%	1±0.2, 2±0.4, 5±1.0, 10 & 50
Min. Return Loss	dB	50
Min. Extinction Ratio (only for B Type)	dB	20
Min. Extinction Ratio (only for F Type)	dB	22
Max. Excess Loss	dB	1.0
Max. Uniformity (for 50/50 only)	dB	0.7
Max. Optical Power (CW)	W	1, 2, 3 or Specify
Max. Peak Power for ns Pulse	kW	10
Max. Tensile Load	N	5
Fiber Type		PM 980 Panda Fiber or HI 1060 Fiber on Tap Port (Port 2)
		PM 980 Panda Fiber on Input & Output Port (Port 1 & 3)
Operating Temperature	°C	-5 to +70
Storage Temperature	°C	-40 to +85

*Above specifications are for device without connector.

*For devices with connectors, IL will be 0.3dB higher, RL will be 5dB lower, ER will be 2dB lower and optical power is only 1000mW(CW).

*The PM fiber and the connector key are aligned to the slow axis.

Package Dimensions



Ordering Information

HPMFC-①①-②③③-④⑤⑤-⑥⑥⑥-⑦⑦⑦-⑧⑨

①①: Wavelength
06 - 1064nm
SS - Specify

④: Axis Alignment
F - Fast Axis Blocked
B - Both Axis Working

⑦⑦⑦: Fiber Jacket on Port 1, 2 & 3
B - 250um Panda Fiber
L - 900um Loose Tube
S - Specify

②: Port
1 - 1x2

⑤⑤: Handling Power
01 - 1W
SS - Specify

⑧: Fiber Type on Tap port
H - HI 1060 Fiber
P - PM Panda Fiber
S - Specify

③③: Coupling Ratio
01 - 1/99
02 - 2/98
05 - 5/95
10 - 10/90
50 - 50/50
SS - Specify

⑥⑥⑥: Connector Type on Port 1, 2 & 3
1 - FC/UPC
2 - FC/APC
3 - SC/UPC
4 - SC/APC
N - None
S - Specify

⑨: Fiber Length
0.8 - 0.8m
S - Specify