

Optizone High Power C Band/L Band Filter Wavelength Division Multiplexer

Features

- Wide Pass Band
- Low Insertion Loss
- High Return Loss
- Excellent Environmental Stability
- High Power Handling Capability

Applications

- DWDM Systems
- EDFAs

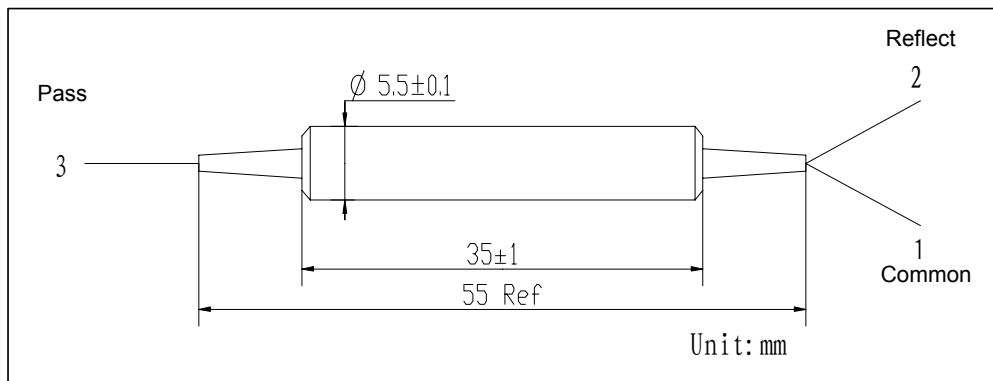
Specifications

Parameters		Unit	Values
Pass Band	Wavelength Range	nm	1530-1561 (1571-1605)
	Max. Insertion Loss	dB	0.9
	Typ. Insertion Loss	dB	0.7
	Min. Isolation at 23C	dB	22
	Typ. Isolation	dB	25
Reflection Band	Wavelength Range	nm	1571-1605 (1530-1561)
	Max. Insertion Loss	dB	0.7
	Typ. Insertion Loss	dB	0.5
	Min. Isolation at 23C	dB	12
	Typ. Isolation	dB	15
Optical Return Loss		dB	50
Typ. PDL		dB	0.05
Max. PDL		dB	0.1
Thermal Stability		dB/°C	≤0.005
Max. Optical Power (CW)		W	1, 2, 3 or Specify
Max. Peak Power for ns Pulse		kW	10
Max. Tensile Load		N	5
Fiber Type			SMF-28e Fiber
Operating Temperature		°C	-5 to +70
Storage Temperature		°C	-40 to +85

*Above specifications are for device without connector.

*For devices with connectors, IL will be 0.3dB higher and RL will be 5dB lower and optical power is only 1000mW(CW).

Package Dimensions



Ordering Information

HPCLWDM-①①①①-②②-③③③-④④④-⑤

①①①①: Wavelength

- 6171 - 1530-1561nm Pass / 1571-1605nm Reflect
- 7161 - 1571-1605nm Pass / 1530-1561nm Reflect
- SSSS - Specify

②②: Handling Power

- 01 - 1W
- SS - Specify

③③③: Connector Type on Port 1, 2 & 3 ⑤: Fiber Length

- 1 - FC/UPC
- 2 - FC/APC
- 3 - SC/UPC
- 4 - SC/APC
- N - None
- S - Specify

④④④: Fiber Jacket on Port 1, 2 & 3

- B - 250um Bare Fiber
- L - 900um Loose Tube
- S - Specify