
Optizone 1064nm High Power Polarization Maintaining Fiber Collimator
Features

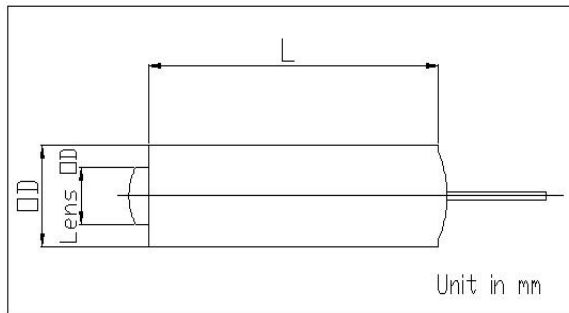
High Handling Power
 High Extinction Ratio
 Low Insertion Loss
 High Return Loss

Applications

PM Components
 Research
 Free Space Communications
 Fiber Lasers

Specifications

Parameters	Unit	Values
Center Wavelength	nm	1064
Operating Wavelength Range	nm	±20
Nominal Beam Diameter	mm	0.4 、 0.5 、 0.9 or Specify
Working Distance	mm	50 or Specify
Typ. Insertion Loss at 50mm	dB	0.2~0.4
Max. Insertion Loss at 50mm	dB	0.5
Min. Return Loss	dB	50
Typ. Extinction Ratio	dB	25
Min. Extinction Ratio	dB	22
Max. Optical Power (CW)	W	3、 5、 10 or Specify
Max. Peak Power for ns Pulse	kW	10
Max. Tensile Load	N	5
Operating Temperature	°C	-5 to +70
Storage Temperature	°C	-40 to +85

Package Dimensions


	Lens OD	OD	L	
1	∅1.8 ⁺⁰ _{-0.01}	∅3.2±0.02	10±0.1	<input type="checkbox"/>
2	∅1.8 ⁺⁰ _{-0.01}	∅3.2±0.02	14±0.1	<input type="checkbox"/>
3				<input type="checkbox"/>
4				<input type="checkbox"/>
5				<input type="checkbox"/>
6				<input type="checkbox"/>
7				<input type="checkbox"/>

Unit in mm

Ordering Information

HPMC-①①-②②-③③-④④-⑤⑤-⑥⑥-⑦⑦-⑧⑧

①①: Wavelength

06 - 1064nm
 SS - Specify

②②: Beam Diameter

04 - 0.4mm
 05 - 0.5mm
 09 - 0.9mm
 SS - Specify

③③: Working Distance

50 - 50mm
 SS - Specify

④④: Fiber Jacket

L - 900um Loose Tube
 C - 3mm Loose Cable
 A - 3mm Armoured Cable
 S - Specify

⑤⑤: Handling Power

03 - 3W
 05 - 5W
 10 - 10W
 SS - Specify

⑥⑥: Fiber Type

1 - PM Panda Fiber
 S - Specify

⑦⑦: Fiber Length

1.2 - 1.2m
 S - Specify

⑧⑧: Package Type

1 - Dia 3.2*10
 2 - Dia 3.2*14