

Optizone 1064nm High Power Isolator -Type C137

Features

Low Insertion Loss, High Isolation
High Power Handling, High Return Loss

Applications

Fiber Laser, Instrumentation
Fiber Amplifier, Lab Research

Specifications

Parameters	Unit	Values
Center Wavelength (λ_c)	nm	1064 or Specify
Operating Wavelength Range	nm	± 5
Min. Isolation at 23°C	dB	30
Typ. Insertion Loss at 23°C	dB	0.6
Max. Insertion Loss at 23°C	dB	0.8
Min. Return Loss	dB	50
Max. Polarization Dependent Loss at 23°C	dB	0.15 (only for HP11 Type Isolators)
Min. ER (only for HP11 Type Isolators)	dB	20 for B Type, 22 for F Type
Max. Optical Power (CW)	W	1, 10 or Specify
Max. Peak Power on ns Pulse	kW	10
Fiber Type (only for HP11 Type Isolators)	-	HI 1060 Fiber or LMA Fiber
Fiber Type (only for HP11 Type Isolators)	-	PM 980 Fiber or PLMA Fiber
Max. Tensile Load	N	5
Operating Temperature	°C	0 to +50
Storage Temperature	°C	-20 to +75

*Above specifications are for device without connector.

*For devices with connectors, IL will be 0.5dB higher, RL will be 5dB lower and ER will be 2dB lower, and only for 1W CW.

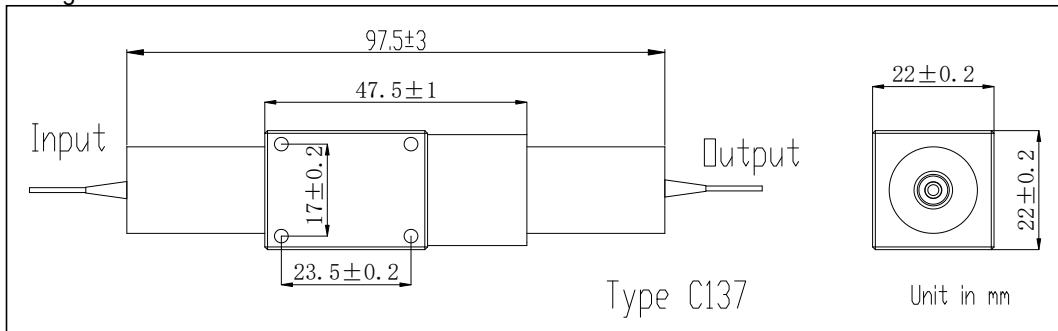
*The PM fiber and connector key are aligned to the slow axis.

*No plastic cap on the ends of the component if 3mm jacketed is chosen;

*Package size indicated is for standard choose, if special size is required, please discuss with Optizone.

*The material must be RoSH compliant.

Package Dimensions



Ordering Information

HP11-①①-②②-③③-⑤⑤-⑥⑥-⑦⑦-⑧⑧/⑧

HP11-①①-②②-③③-④④-⑤⑤-⑥⑥-⑦⑦-⑧⑧/⑧

①①: Wavelength
06 - 1064nm
S - Specify

②②: Package Type
C5 - Type C5
C6 - Type C6

③③: Handling Power
01 - 1W
10 - 10W
S - Specify

④④: Axis Alignment
F - Fast Axis Blocked
B - Both Axis Working

⑤⑤: Connector Type on Port 1 & 2
1A - FC/UPC
2A - FC/APC
3A - SC/UPC
4A - SC/APC
N - None
S - Specify

⑥⑥: Fiber Jacket on Port 1 & 2
B - Baer Fiber
C - 900um Loose Tube(Red)
F - 900um Loose Tube(White)
T - 3mm Cable(Yellow)
R - 3mm Cable(Blue)
S - Specify

⑦⑦: Fiber Length
0.8 - 0.8m
S - Specify

⑧⑧: Fiber Type
1 - HI 1060 Fiber
2 - 10/125 NA 0.08 Fiber
35 - SCF-UN-10/125 NA0.08 Fi
72- LMA-GDF 10/125-M NA0.0
S - Specify

or PM Fiber Type
1 - PM 980 Panda Fiber
2 - PMDC 10/125 N.A 0.08 Fibe
11 - PMSC 10/125 N.A0.08 Fibe
S - Specify