

Features

Low Insertion Loss
 High Isolation
 High Power Handling
 High Return Loss

Applications

Fiber Laser
 Instrumentation
 Fiber Amplifier
 Lab Research

Specifications

Parameters	Unit	Values
Center Wavelength (λ_c)	nm	980
Operating Wavelength Range	nm	± 10
Max. PDL	dB	0.1
Typ. Peak Isolation	dB	32-40
Min. Isolation at 23°C	dB	25
Typ. Insertion Loss at 23°C	dB	0.6
Max. Insertion Loss at 23°C	dB	1.0
Min. Return Loss (input/output)	dB	50/50
Max. Optical Power (CW)	W	1 , 2 ,3 or Specify
Max. Tensile Load	N	5
Operating Temperature	°C	-5 to +50
Storage Temperature	°C	-20 to +75

*Above specifications are for device without connector.

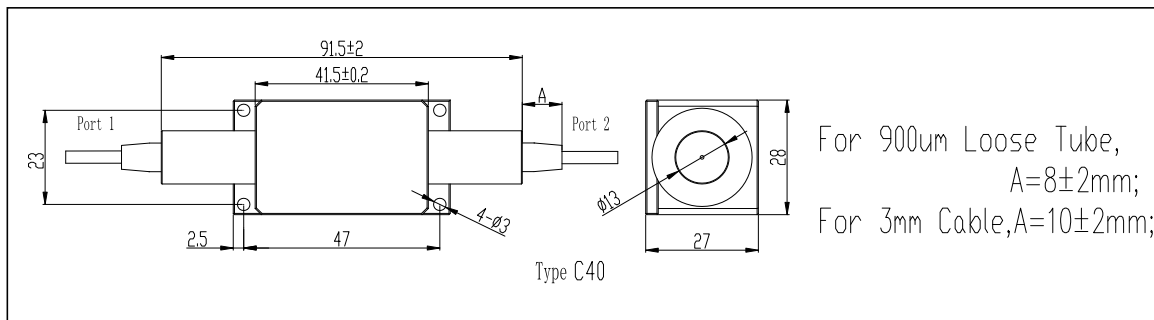
*For devices with connectors, IL will be 1dB higher, RL will be 5dB lower and handling power will be 1W CW or lower.

*Package size indicated is for standard choose, if special size is required, please discuss with Optizone.

*Please provide the details of pulse conditions including pulse width, repetition, peak power for inquiries if necessary.

*The material must be RoSH compliant.

Package Dimensions



Ordering Information

HPII-①①-②-③③-④④-⑤⑤-⑥-⑦⑦

①①: Wavelength
 98 - 980nm
 SS - Specify

②: Package Type
 C40 - Type C40

③③: Handling Power
 01 - 1W
 02 - 2W
 03 - 3W
 S - Specify

④④: Connector Type on Port 1 & 2
 1A - FC/UPC
 2A - FC/APC(Step)
 3A - SC/UPC
 4A - SC/APC(Step)
 N - None
 S - Specify

⑤⑤: Fiber Type on Port 1 & 2
 B - Baer Fiber
 F - 900um Loose Tube(White)
 T - 3mm Cable(Yellow)

⑥: Fiber Length on Port 1 & 2
 1 - 1.0m
 S - Specify

⑦⑦: Fiber Type
 1 - HI 1060
 2 - 10/125 N.A 0.08
 35 - SCF-UN-10/125 NA0.08
 72- LMA-GDF 10/125-M NA0.075
 S - Specify