

Features

- Low Insertion Loss
- High Isolation
- High Power Handling
- High Return Loss

Applications

- Fiber Laser
- Instrumentation
- Fiber Amplifier
- Lab Research

Specifications

Parameters	Unit	Values
Center Wavelength (λ_c)	nm	980
Operating Wavelength Range	nm	± 10
Max. PDL	dB	0.1
Typ. Peak Isolation	dB	32-40
Min. Isolation at 23°C	dB	25
Typ. Insertion Loss at 23°C	dB	0.6
Max. Insertion Loss at 23°C	dB	1.0
Min. Return Loss (input/output)	dB	50/50
Max. Optical Power (CW)	W	1, 2, 3 or Specify
Max. Tensile Load	N	5
Fiber Type		HI 1060 Fiber
Operating Temperature	°C	-5 to +50
Storage Temperature	°C	-20 to +75

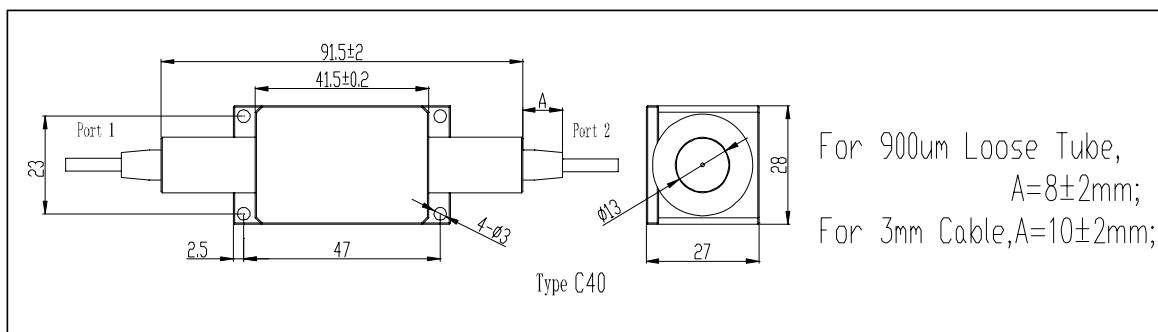
*Above specifications are for device without connector.

*For devices with connectors, IL will be 0.3dB higher, RL will be 5dB lower and handling power will be 1W CW or lower.

*Package size indicated is for standard choose, if special size is required, please discuss with Optizone.

*Please provide the details of pulse conditions including pulse width, repetition, peak power for inquiries if necessary.

Package Dimensions



Ordering Information

HPII-①①-②-③③-④④-⑤⑤-⑥

①①: Wavelength

- 98 - 980nm
- SS - Specify

②: Package Type

C40 - Type C40

③③: Handling Power

- 01 - 1W
- 02 - 2W
- 03 - 3W
- S - Specify

④④: Connector Type on Port 1 & 2

- 1 - FC/UPC
- 2 - FC/APC
- 3 - SC/UPC
- 4 - SC/APC
- N - None
- S - Specify

⑤⑤: Fiber Type on Port 1 & 2

- B - Bare Fiber
- L - 900um Loose Tube
- C - 3mm Loose Cable
- S - Specify

⑥: Fiber Length on Port 1 & 2

- 1 - 1.0m
- S - Specify