



850nm High Power Polarization Insensitive Isolator

Features

Low Insertion Loss
High Isolation
High Power Handling
High Return Loss

Applications

Fiber Laser
Instrumentation
Fiber Amplifier
Lab Research

Specifications

Parameters	Unit	Values
Center Wavelength (λ_c)	nm	850
Operating Wavelength Range	nm	± 10
Max. PDL at 23°C	dB	0.1
Typ. Peak Isolation	dB	32-40
Min. Isolation at 23°C	dB	25
Typ. Insertion Loss at 23°C	dB	0.6
Max. Insertion Loss at 23°C	dB	1.0
Min. Return Loss (Input/Output)	dB	50/50
Max. Optical Power (CW)	W	0.3 , 0.5 or specify
Max. Tensile Load	N	5
Fiber Type		HI 780 Fiber
Operating Temperature	°C	-5 to +50
Storage Temperature	°C	-20 to +75

*Above specifications are for device without connector.

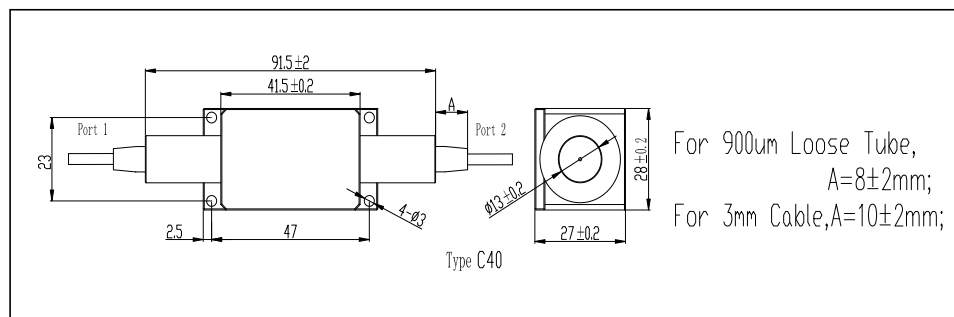
*For devices with connectors, IL will be 1dB higher, RL will be 5dB lower and handling power will be 1W CW or lower.

*Package size indicated is for standard choose, if special size is required, please discuss with Optizone.

*Please provide the details of pulse conditions including pulse width, repetition, peak power for inquiries if necessary.

*The material must be RoSH compliant.

Package Dimensions



Ordering Information

HP11-①①-②③-④④-⑤⑤-⑥⑥-⑦⑦

①①: Wavelength

85 - 850nm

SS - Specify

②: Package Type

C40 - Type C40

③: Handling Power

0.3 - 300mW

0.5 - 500mW

④④: Connector Type on Port 1 & 2

1A - FC/UPC

2A - FC/APC(Step)

3A - SC/UPC

4A - SC/APC(Step)

N - None

S - Specify

⑤⑤: Fiber Jacket on Port 1 & 2

B - Baer Fiber

F - 900um Loose Tube(White)

T - 3mm Cable(Yellow)

S - Specify

⑥⑥: Fiber Length

1 - 1.0m

S - Specify

⑦⑦: Fiber Length

38 - HI 780

S - Specify