
**Optizone C Band/L Band Filter Wavelength Division Multiplexer**
**Features**

Wide Pass Band  
 Low Insertion Loss  
 High Return Loss  
 Excellent Environmental Stability

**Applications**

DWDM Systems  
 EDFAs

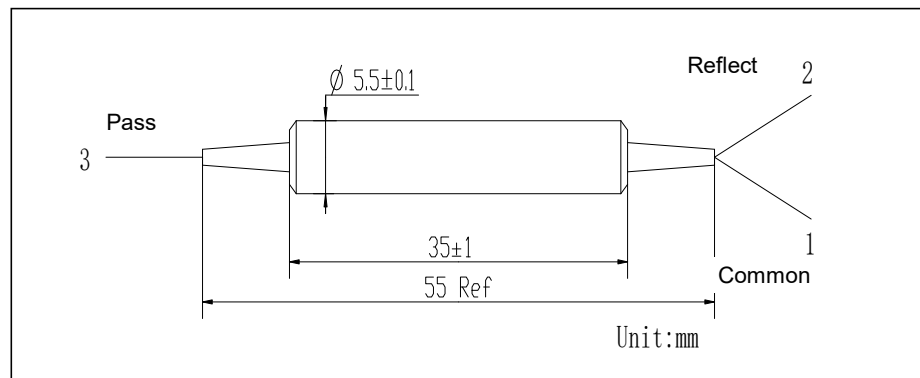
**Specifications**

Parameters		Unit	Values
Pass Band	Wavelength Range	nm	1530-1561 (15)
	Max. Insertion Loss	dB	0.7
	Typ. Insertion Loss	dB	0.5
	Min. Isolation at 23°C	dB	22
	Typ. Isolation	dB	25
Reflection Band	Wavelength Range	nm	1571-1605 (15)
	Max. Insertion Loss	dB	0.5
	Typ. Insertion Loss	dB	0.3
	Min. Isolation at 23°C	dB	12
	Typ. Isolation	dB	15
Optical Return Loss		dB	50
Typ. PDL		dB	0.05
Max. PDL		dB	0.1
Thermal Stability		dB/°C	≤0.005
Max. Optical Power (CW)		mW	500
Max. Tensile Load		N	5
Fiber Type			SMF-28e
Operating Temperature		°C	-5 to +7
Storage Temperature		°C	-40 to +

\*Above specifications are for device without connector.

\*For devices with connectors, IL will be 0.3dB higher and RL will be 5dB lower.

\*The material must be RoHS compliant.

**Package Dimensions****Ordering Information**

**CLWDM-①①①①-②②-③③③-④④④-⑤-⑥⑥-⑦⑦**

①①①①: Wavelength

6171 - 1530-1561nm Pass / 1571-1605nm Reflect

7161 - 1571-1605nm Pass / 1530-1561nm Reflect

SSSS - Specify

②②: Handling Power

01 - 1W

02 - 2W

05 - 5W

0.4 - 0.4W

0.01 - 0.01W

SS - Specify

③③③: Connector Type on Port 1, 2 & 3

1A - FC/UPC

2A - FC/APC(Step)

3A - SC/UPC

N - None

S - Specify

④④④: Fiber Jacket on Port 1, 2 & 3

B - 250um Fiber

C - 900um Loose Tube(Red)

F - 900um Loose Tube(White)

S - Specify