



850nm Broadband Polarization Insensitive Isolator

Features

- Low Insertion Loss
- High Isolation
- High Power Handling
- High Return Loss

Applications

- Fiber Laser
- Instrumentation
- Fiber Amplifier
- Lab Research

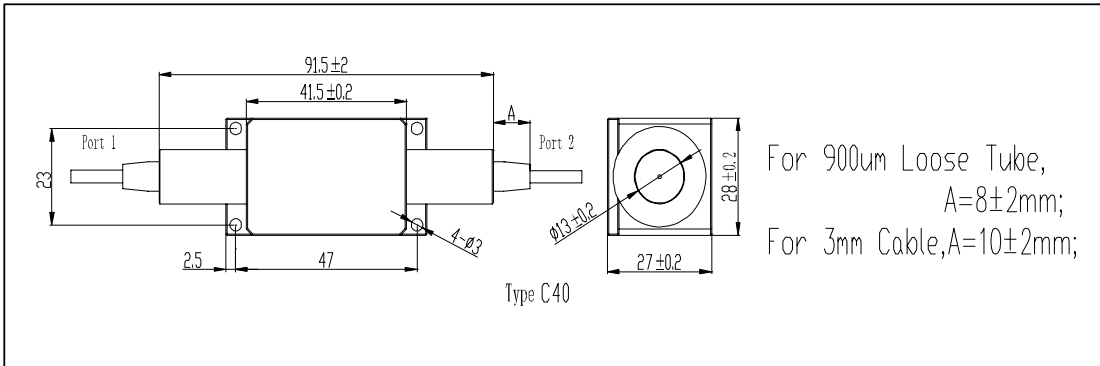
Specifications

Parameters	Unit	Values
Center Wavelength (λ_c)	nm	850
Operating Wavelength Range	nm	± 50
Max. PDL at 23°C, λ_c	dB	0.15
Typ. Isolation	dB	28~32
Min. Isolation at 23°C	dB	23
Typ. Insertion Loss at 23°C, λ_c	dB	1.0
Max. Insertion Loss at 23°C	dB	1.3 @ 850+/-30nm, 1.7 @ 850+/-40nm, 2.0 @ 850+/-50nm
Min. Return Loss (input/output)	dB	50/50
Max. Optical Power (CW)	W	0.3 , 0.5 or specify
Max. Tensile Load	N	5
Fiber Type		HI 780 Fiber
Operating Temperature	°C	0 to +60
Storage Temperature	°C	-20 to+75

*Above specifications are for device without connector.

*For devices with connectors, IL will be 0.3dB higher, RL will be 5dB lower.

Package Dimensions



Ordering Information

BI-①①-②-③-④④-⑤⑤-⑥⑥

①①: Wavelength

85 - 850nm

SS - Specify

②: Package Type

C40 - Type C40

③: Handling Power

0.3 - 300mW

0.5 - 500mW

④④: Connector Type on Port 1 & 2

1 - FC/UPC

2 - FC/APC

3 - SC/UPC

4 - SC/APC

N - None

S - Specify

⑤⑤: Fiber Jacket on Port 1 & 2

B - 250um Bare Fiber

L - 900um Loose Tube

S - Specify

⑥⑥: Fiber Length

1 - 1.0m

S - Specify