



# Company Overview





# Vision

**AEON is a leading supplier of specialty fiber-optic amplification solutions for Telecom and Industrial markets**



# Business Overview

**Founded:** 2000 as part of Alphion

Independent business unit of the Alphion group since 2013

Approx. 150 employees worldwide

**Headquarters:** Princeton Junction, NJ

**Market:** Telecom, Datacom, Medical, Sensors, Test & Measurements

**Products:** Discrete and Integrated Photonic Devices; Largest market share of SOAs

**Business Model:** Fabless; Cleanroom for wafer post-processing and packaging

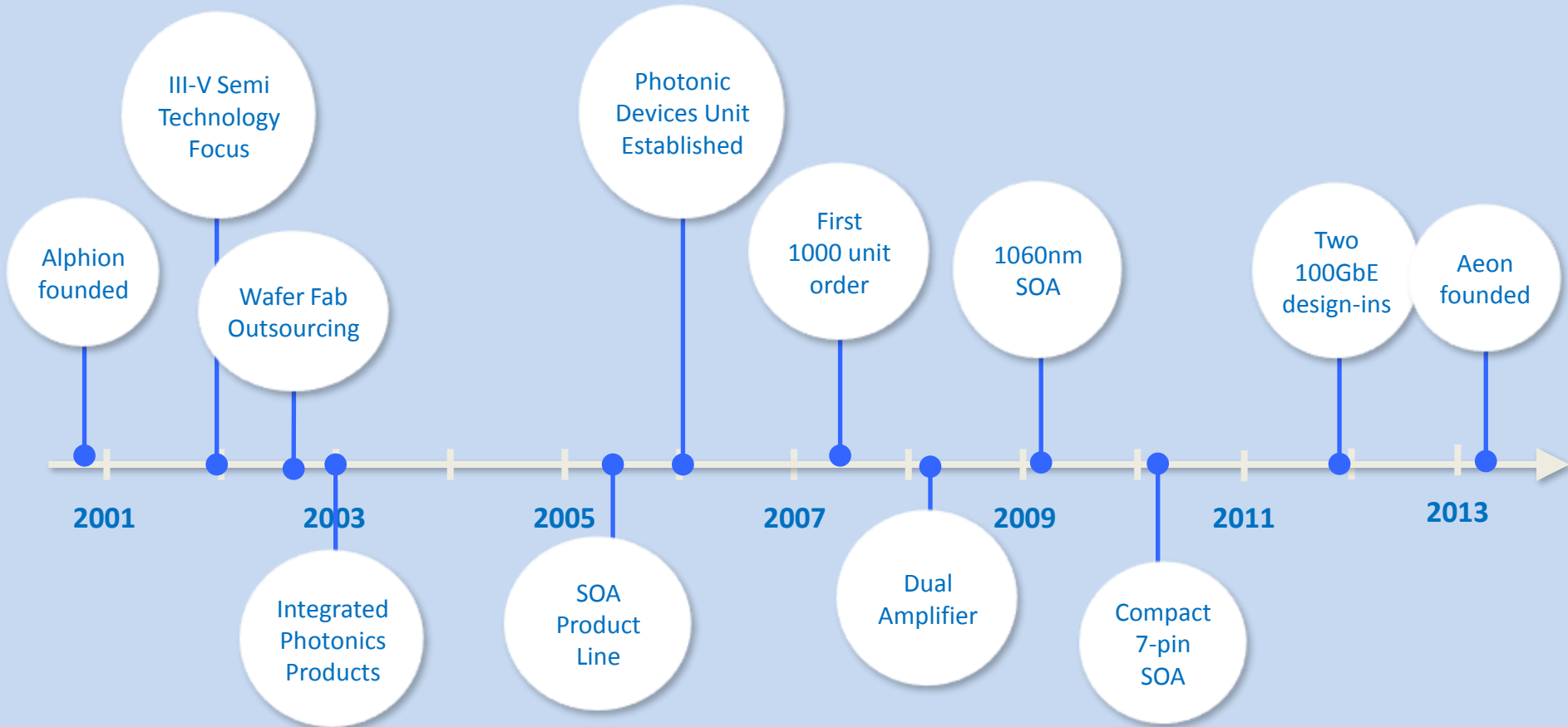
**Patents:** 28+ issued/pending patents

**Customers:** 100+ customers world wide; Products in deployment over 10 years



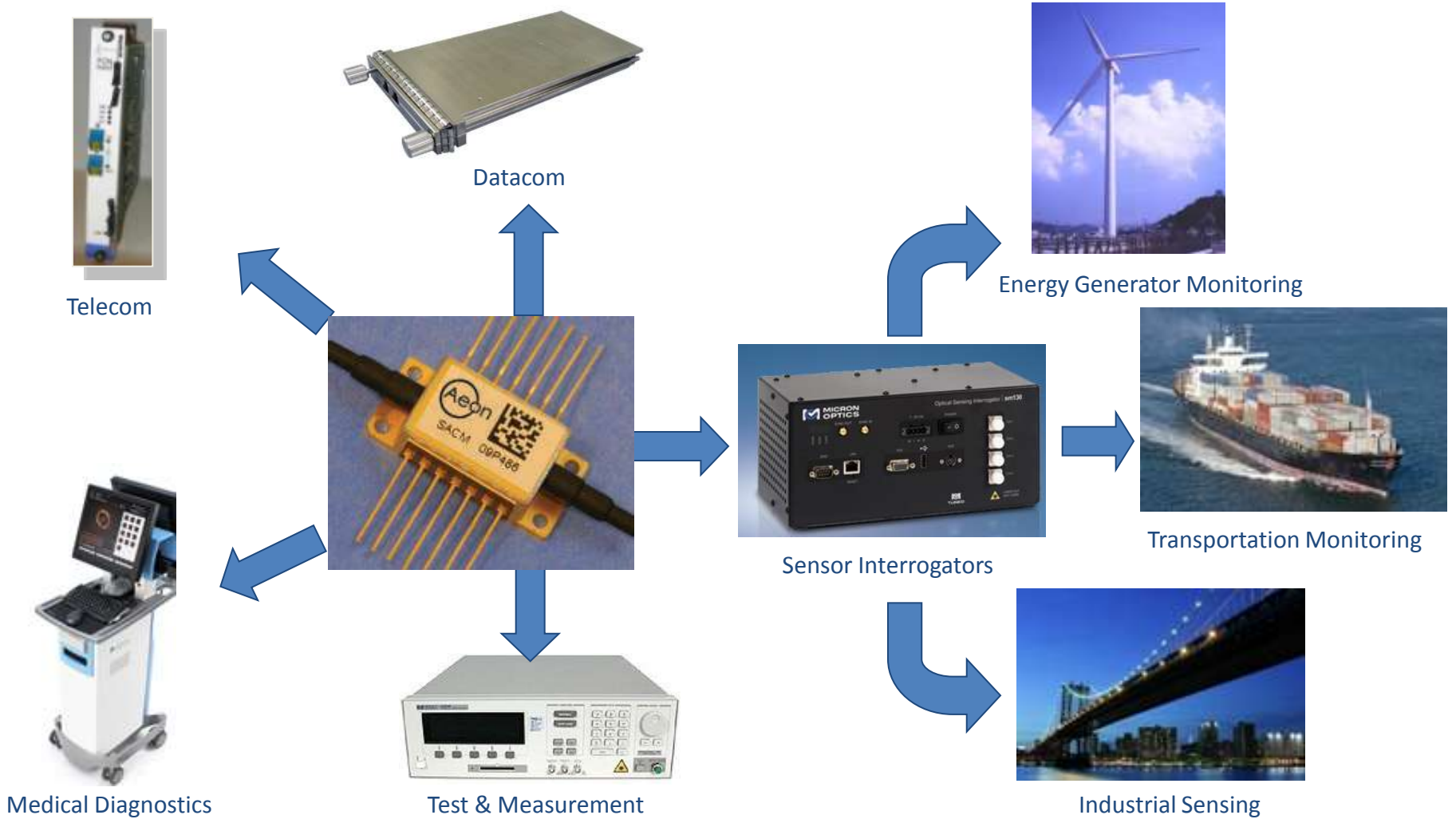


# History of Device Business





# Markets

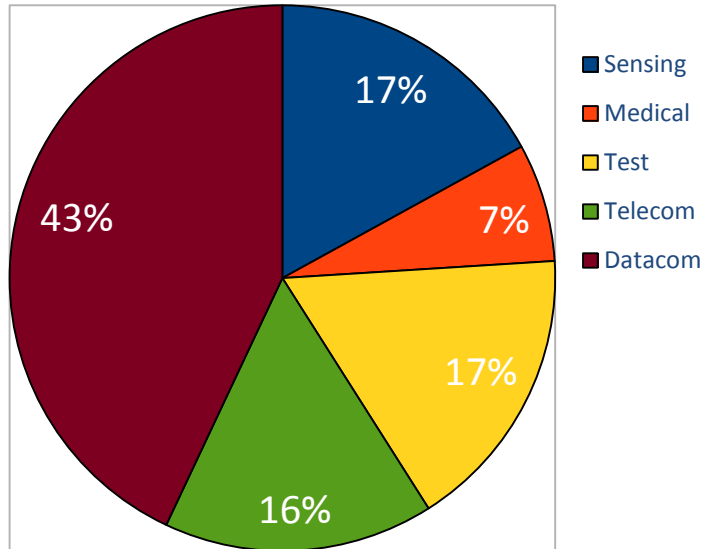




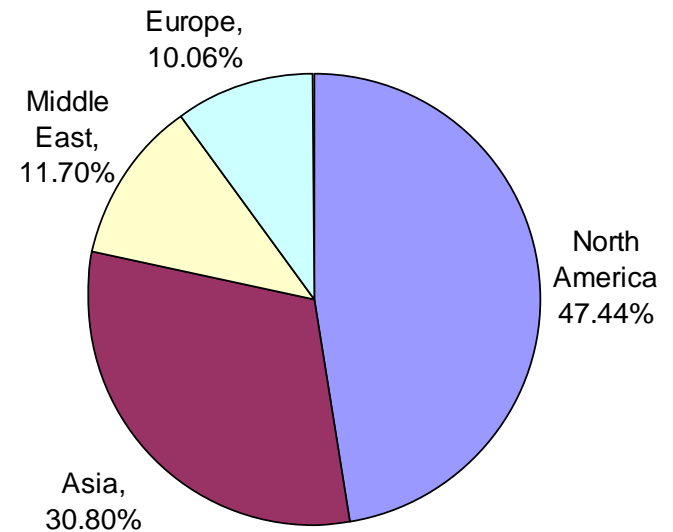
# Current State of Business

Over 100 customers in 24 countries

### Revenue by Market Segment



### Revenue by Region



Aeon Photonic Devices in field for over 10 years carrying live service



# Aeon's Strengths

- ◆ Photonic Device Design
  - Amplifiers, Lasers, Detectors
  - Monolithic Photonic Integrated Circuits
  - Splitters
  - Diplexers, Triplexers
- ◆ Automated Photonic Device Test
  - Amplifiers, Lasers, Detectors
  - Splitters
  - Transceivers
  - WDM modules
- ◆ Facilities
  - Class 1000/10000 cleanroom
- ◆ ISO-9001:2008 Certified
- ◆ Photonic Semiconductor Manufacturing
  - Wafer post-processing
  - Thin-film coating
  - Chip-on-carrier fabrication and test
  - High-reliability optoelectronic packaging
  - Multi-fiber I/O packaging
- ◆ Outsourcing partnerships
  - Semiconductor wafer fab
  - High-volume assembly
- ◆ Sales
  - North America: Direct
  - RoW: Resellers/Distributors



# Technology & Applications



# Aeon Photonic Device Markets

## Telecommunications

- ◆ Data Communications
  - 40G WDM
  - 100GbE
  - 400GbE
  - Optical Packet Switching
- ◆ Access Networks
  - PON extension (G984.6)
  - 10G-EPON (802.3av)
- ◆ Long Haul Networks
  - DWDM optical supervisory channel

## Sensors and Measurement

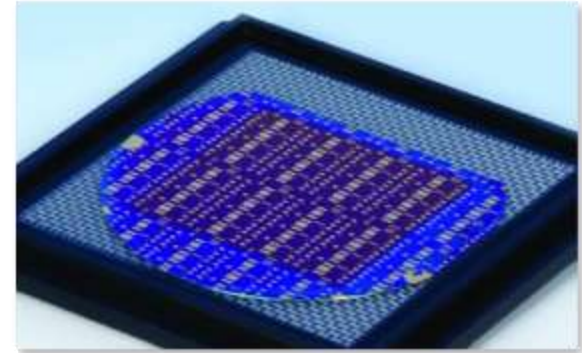
- ◆ Industrial Sensing
  - Wind energy
  - Transportation
  - Civil engineering
  - Oil & Gas exploration
- ◆ Medical Imaging
  - Retinal scanning
  - In-situ patient monitoring
- ◆ Test & Measurement
  - Broad Band Light Sources
  - Widely Tunable Lasers
  - Lab Amplifiers



# QLight® Technology

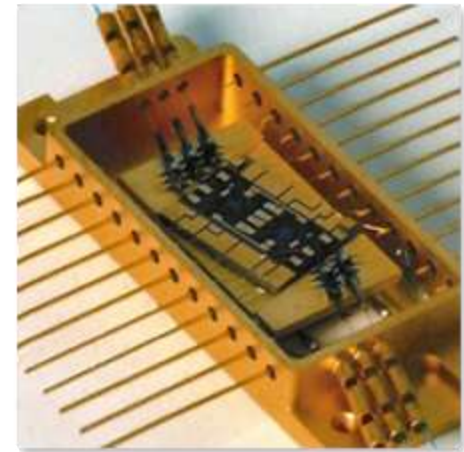
## Robust Device Platform

- ◆ Broad wavelength coverage
  - 1000nm to 1620nm Options
- ◆ High-quality optical performance
- ◆ Advanced monolithic integration
- ◆ Proven semiconductor technology
  - Designed for manufacturing and reliability
  - Multi-sourced wafer fabrication



## Advanced Packaging

- ◆ Multi-fiber I/O
- ◆ Telecom-grade quality and reliability
- ◆ Hermetic and organics-free
- ◆ Design and process for repeatability
- ◆ Multi-sourced assembly operations





# SOAs in Sensor Interrogator Lasers

## SOA is preferred gain medium for tunable sources

- ◆ Large bandwidth ensures wide tunability/sweep range
- ◆ Same design supports multiple wavelength ranges
- ◆ Compact and highly manufacturable designs

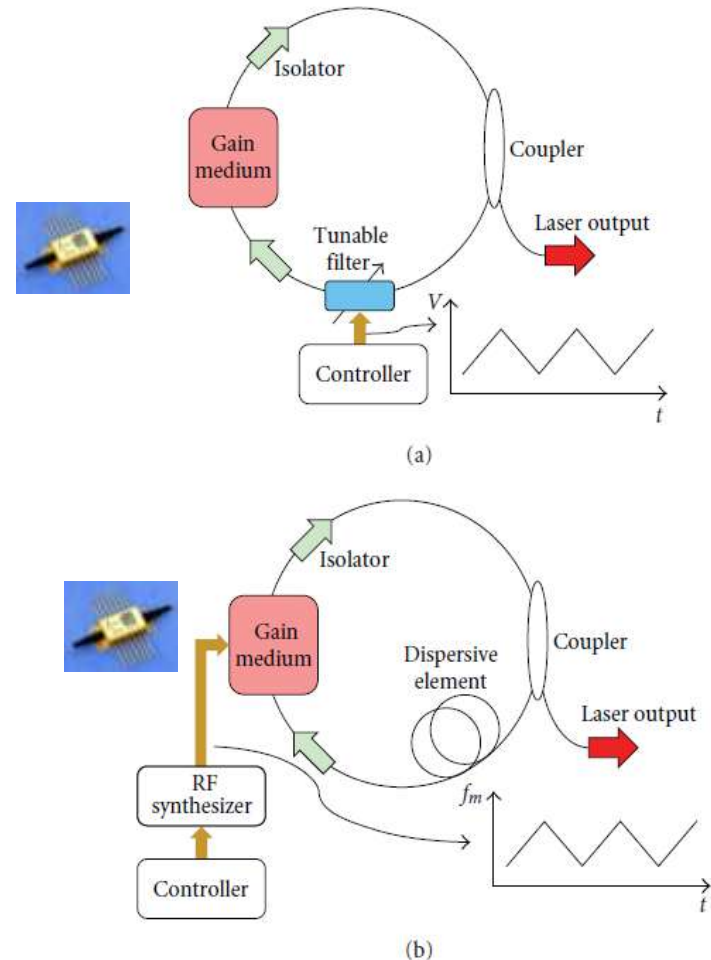


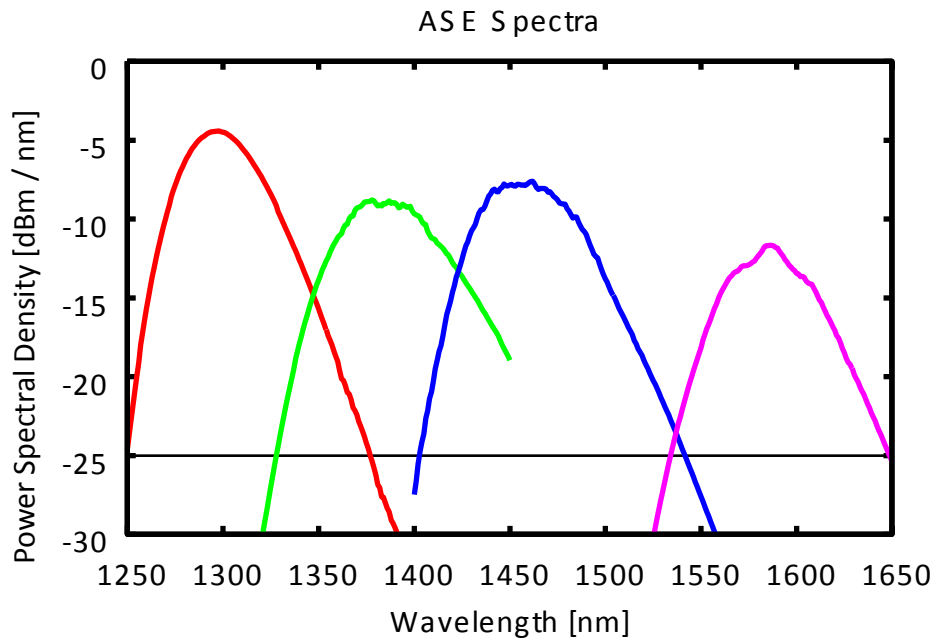
FIGURE 2: Wavelength-swept fiber lasers: (a) tunable filter-based laser (b) dispersion-tuned laser.

Source: Yamashita et al., *J. Sensors*, 2009



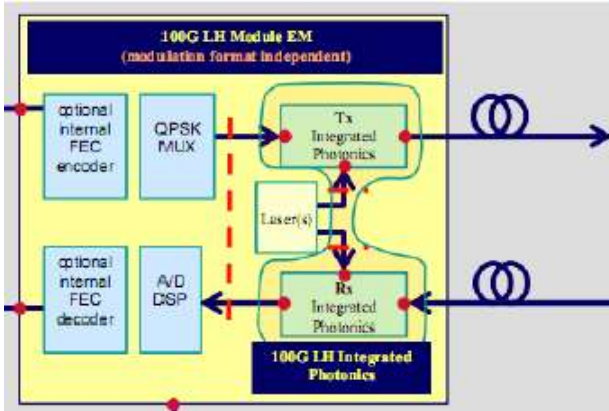
# SOA in Broad-Band Light Source

- ◆ T&M Application
- ◆ Use 4 devices to cover band 1250 – 1650 nm
- ◆ Only SOA can deliver this type of coverage





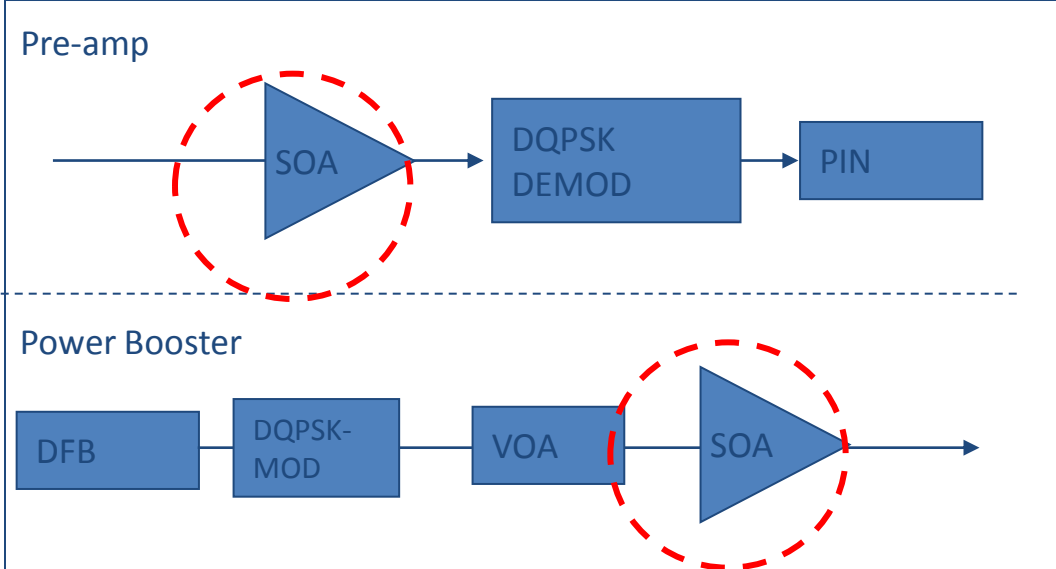
# SOAs in 40G Transponders (Telecom)



40G MSA 300 pin module



- ◆ Low-power consumption, compact SOA is optimal for 300-pin MSA module
- ◆ SOA extends the reach by amplifying DQPSK modulated 40G signal
- ◆ SOA can be used as preamplifier or power booster
- ◆ Same design can be used for C- and L-band transponders
- ◆ Design win with Tier-1



# Aeon SOA in 100GbE/400GbE (Datacom)

IEEE 802.3ab Standard calls for 1310nm SOA in 100GBASE-ER4 transceivers

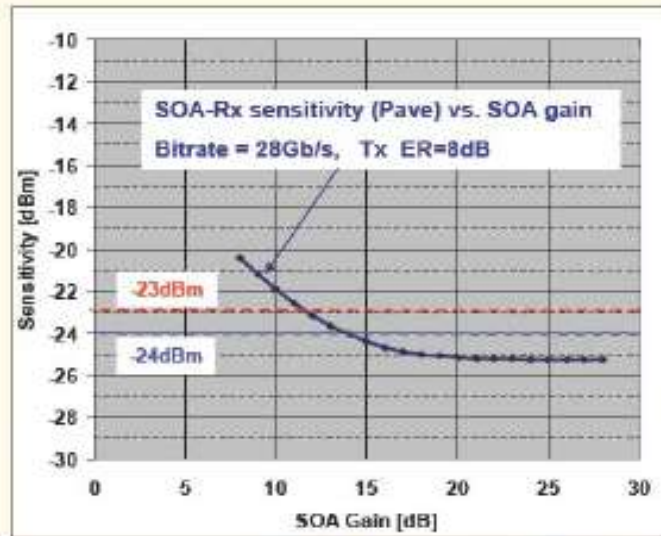
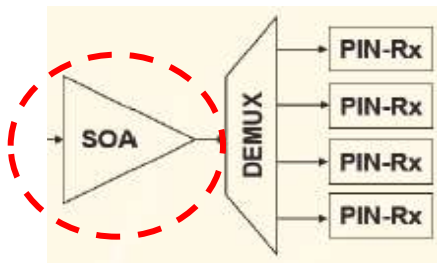
Emerging 400GBASE standard requires SOA in IR/LR/ER versions

SOA is key enabler in these products

Aeon SOA designed in at two Tier-1 customers



**SOA is indispensable!**





Thank You